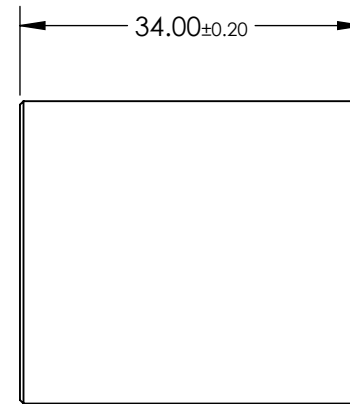
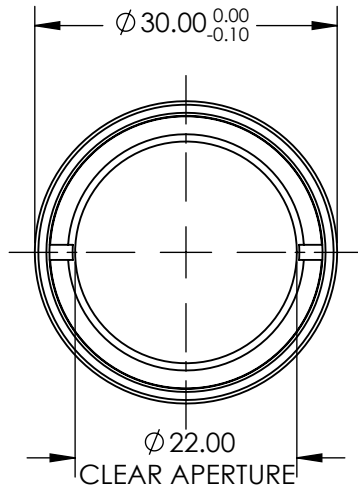
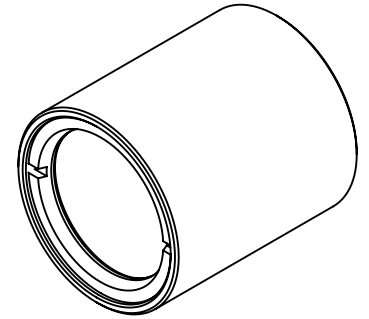


NOTES:

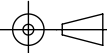
1. ELEMENT A: 45211
2. ELEMENT B: 32327



SPECIFICATIONS SUBJECT TO CHANGE WITHOUT NOTICE
 DIMENSIONS ARE FOR REFERENCE ONLY

**FOR INFORMATION ONLY:
 DO NOT MANUFACTURE
 PARTS TO THIS DRAWING**

EO® Edmund Optics®

THIRD ANGLE PROJECTION 	TITLE	1:3.3 WITH 30mm AND 100mm EFL ACHROMATS, 30mm ACHROMATIC PAIR		
	ALL DIMS IN	mm	DWG NO	46006