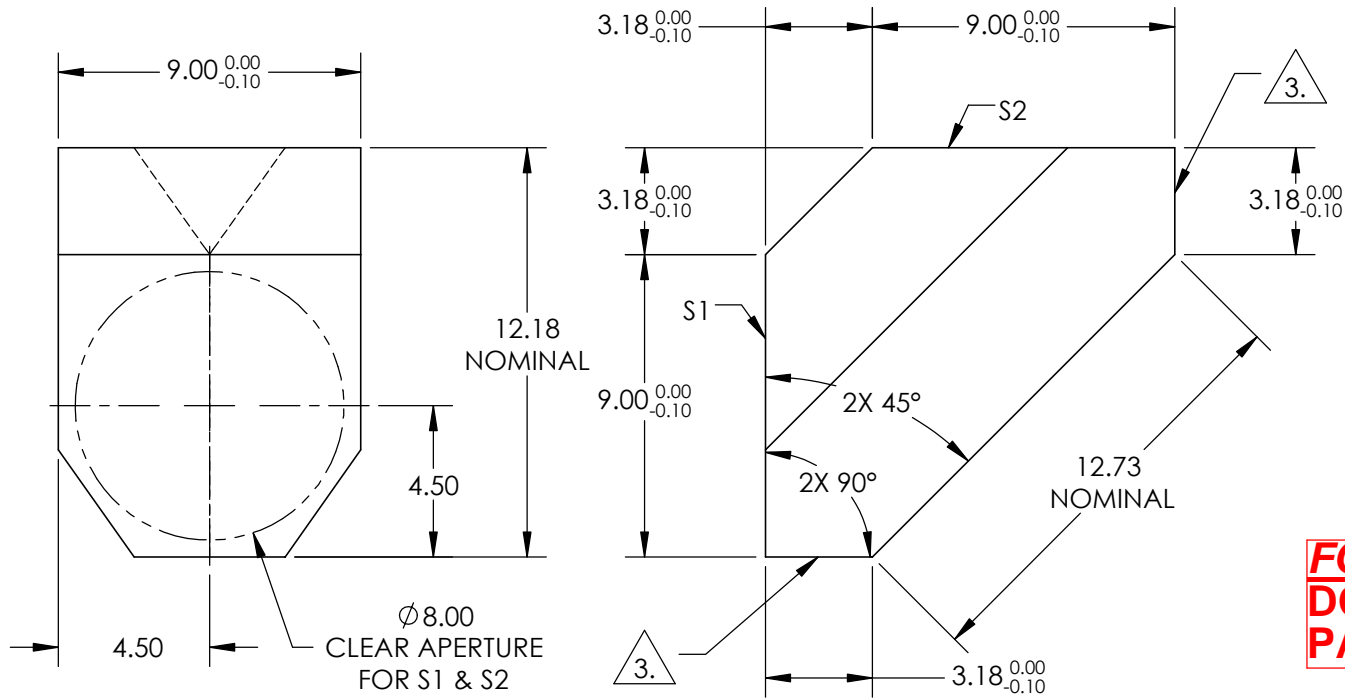
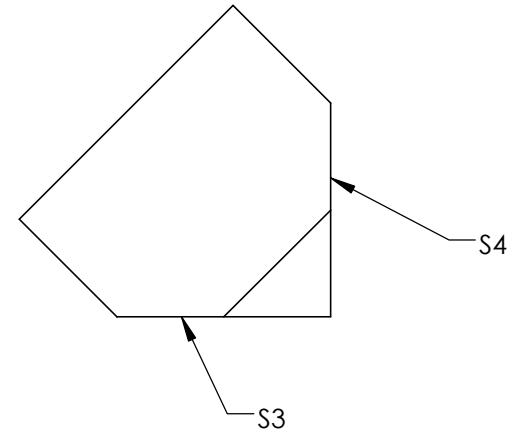
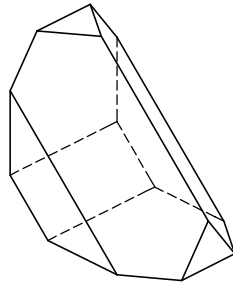


NOTES:

1. SUBSTRATE : N-BK7
2. COATING (APPLY ACROSS CLEAR APERTURE)  
S1 & S2 : UNCOATED  
S3 & S4 : UNCOATED
3. FINE GRIND SURFACE
4. RoHS COMPLIANT

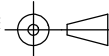


**FOR INFORMATION ONLY:  
DO NOT MANUFACTURE  
PARTS TO THIS DRAWING**

SPECIFICATIONS SUBJECT TO CHANGE WITHOUT NOTICE  
DIMENSIONS ARE FOR REFERENCE ONLY

|                       |                      |
|-----------------------|----------------------|
| REV. A                | S1, S2, S3, & S4     |
| SHAPE                 | PLANO                |
| RESOLUTION (arcsec)   | 6                    |
| ANGLE TOL. (arcmin)   | ±5                   |
| WAVELENGTH RANGE (nm) | 350 - 2200           |
| SURFACE QUALITY       | 60-40                |
| SURFACE FLATNESS      | λ/2                  |
| BEVEL                 | PROTECTIVE AS NEEDED |

THIRD ANGLE PROJECTION



ALL DIMS IN

mm

**EO**® Edmund Optics®

TITLE

9mm UNCOATED, AMICI ROOF PRISM

DWG NO

45662

SHEET  
1 OF 1