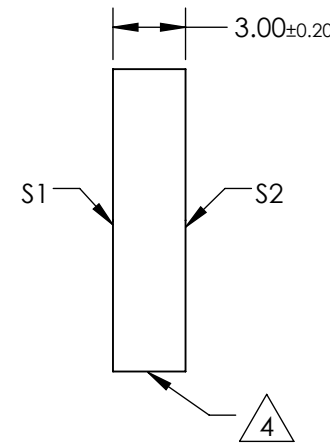
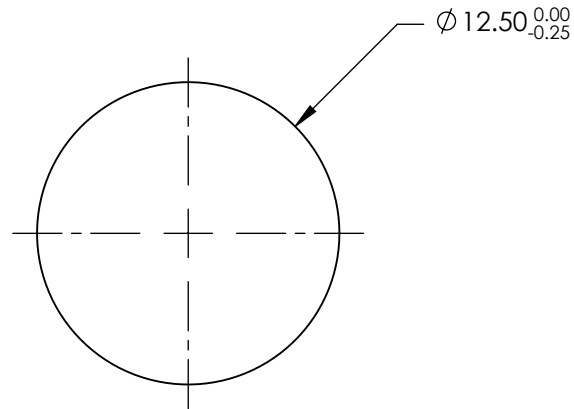
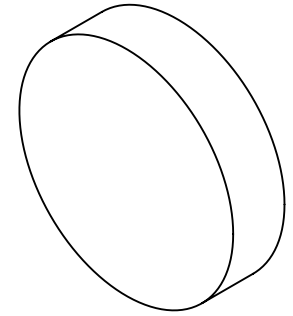


NOTES:

1. SUBSTRATE:
N-BK7
2. S2 TO BE PARALLEL WITH S1 TO <1 arcmin
3. COATING (APPLY ACROSS CLEAR APERTURE)
S1 & S2: RABS ≤0.25% @ 880nm RAVG ≤1.25% @ 400 - 870 nm RAVG ≤1.25% @ 890 - 1000nm

4. FINE GRIND SURFACE

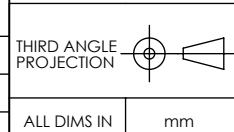
5. RoHS COMPLIANT



**FOR INFORMATION ONLY:
DO NOT MANUFACTURE
PARTS TO THIS DRAWING**

SPECIFICATIONS SUBJECT TO CHANGE WITHOUT NOTICE
DIMENSIONS ARE FOR REFERENCE ONLY

	S1	S2
SHAPE	PLANO	PLANO
SURFACE QUALITY	60-40	60-40
WAVELENGTH RANGE	400 - 1000nm	400 - 1000nm
BEVEL	PROTECTIVE AS NEEDED	PROTECTIVE AS NEEDED



EO® Edmund Optics®

TITLE	DWG NO	SHEET
12.5mm DIA., 3mm THICK, VIS-NIR COATED λ/4 N-BK7 WINDOW	45658	1 OF 1