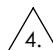


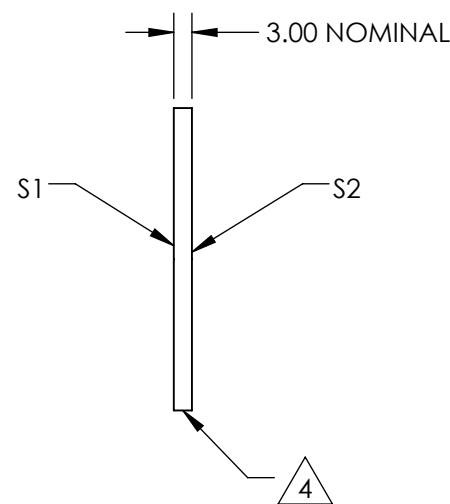
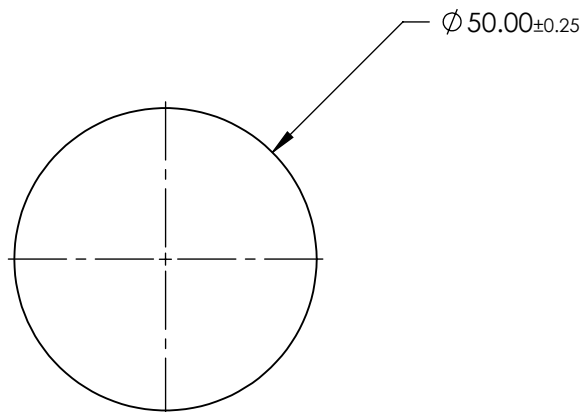
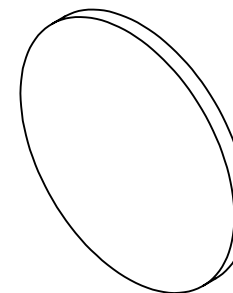
NOTES:

1. SUBSTRATE MATERIAL: FLOAT GLASS
2. ROHS COMPLIANT
3. COATING (APPLY ACROSS CLEAR APERTURE)

S1:
 R(AVG) ≥ 95% @ 450 - 650nm
 R(ABS) ≥ 94% @ 500nm

S2: NONE

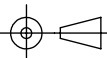
 4. FINE GRIND SURFACE



SPECIFICATIONS SUBJECT TO CHANGE WITHOUT NOTICE
 DIMENSIONS ARE FOR REFERENCE ONLY

**FOR INFORMATION ONLY:
 DO NOT MANUFACTURE
 PARTS TO THIS DRAWING**



	S1	S2	THIRD ANGLE PROJECTION 		TITLE	50mm Dia Enhanced Aluminum, 4-6λ Mirror	
SURFACE QUALITY	60-40	60-40	ALL DIMS IN	mm	DWG NO	45614	SHEET 1 OF 1
SURFACE FLATNESS	4 - 6λ	4 - 6λ			TITLE	50mm Dia Enhanced Aluminum, 4-6λ Mirror	
BEVEL	PROTECTIVE AS NEEDED	PROTECTIVE AS NEEDED					