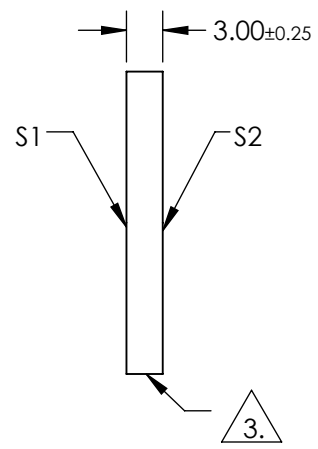
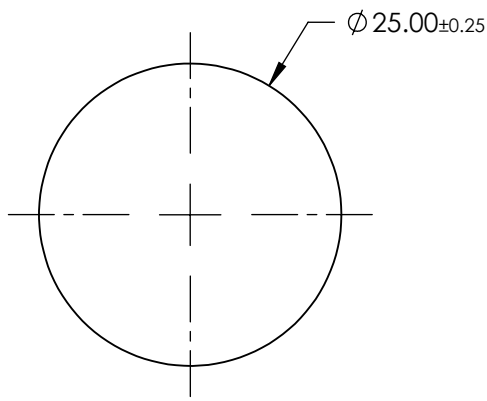
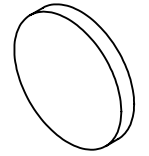


NOTES:

1. SUBSTRATE:
BOROFLOAT®
2. COATING SPECIFICATION:
S1: Enhanced Aluminum (250-700nm)
R(AVG) >89% @ 250 - 450nm
R(AVG) >85% @ 250 - 700nm

3. FINE GROUND SURFACE

4. ROHS COMPLIANT



**FOR INFORMATION ONLY:
DO NOT MANUFACTURE
PARTS TO THIS DRAWING**

SPECIFICATIONS SUBJECT TO CHANGE WITHOUT NOTICE
DIMENSIONS ARE FOR REFERENCE ONLY



	S1	S2			Edmund Optics®	
SHAPE	PLANO	PLANO			TITLE	25mm Dia. UV Enhanced Aluminum, λ/4 Mirror
SURFACE QUALITY	60-40	COMMERCIAL POLISH	THIRD ANGLE PROJECTION		DWG NO	45605
CLEAR APERTURE	Ø21.25	N/A	ALL DIMS IN	mm		SHEET 1 OF 1
BEVEL	PROTECTIVE AS NEEDED	PROTECTIVE AS NEEDED				