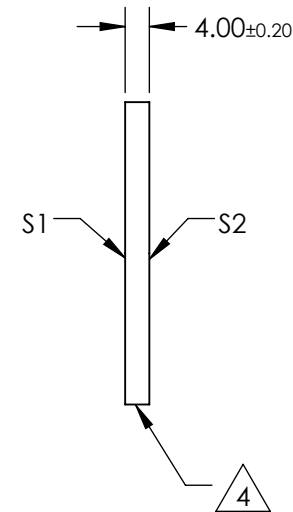
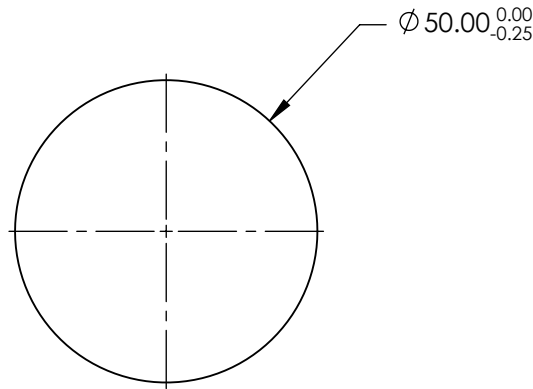
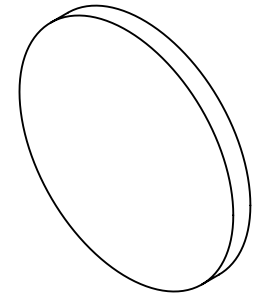


NOTES:

1. SUBSTRATE:  
N-BK7
2. S2 TO BE PARALLEL WITH S1 TO <1 arcmin
3. COATING (APPLY ACROSS CLEAR APERTURE)  
S1 & S2: RAVG ≤ 1.75% @ 400 - 700nm

4. FINE GRIND SURFACE

5. RoHS COMPLIANT



**FOR INFORMATION ONLY:  
DO NOT MANUFACTURE  
PARTS TO THIS DRAWING**

SPECIFICATIONS SUBJECT TO CHANGE WITHOUT NOTICE  
DIMENSIONS ARE FOR REFERENCE ONLY

	S1	S2
SHAPE	PLANO	PLANO
SURFACE QUALITY	60-40	60-40
WAVELENGTH RANGE	400 - 700nm	400 - 700nm
BEVEL	PROTECTIVE AS NEEDED	PROTECTIVE AS NEEDED

THIRD ANGLE PROJECTION

ALL DIMS IN mm

**EO**® Edmund Optics®

TITLE

50mm DIA., 4mm THICK, MGF2 COATED λ/4  
N-BK7 WINDOW

DWG NO

45584

SHEET  
1 OF 1