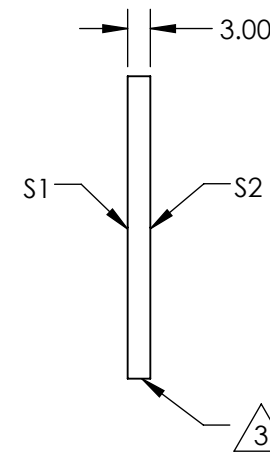
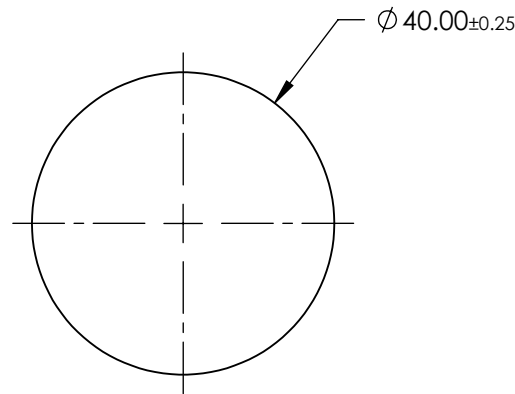
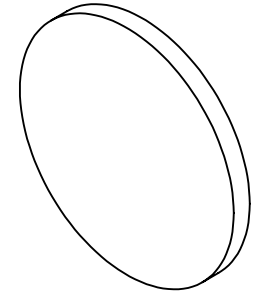


NOTES:

1. SUBSTRATE:
B270
2. COATING (APPLY ACROSS CLEAR APERTURE)
S1 & S2: R(AVG) $\leq 1.75\%$ @ 400 - 700nm

3. FINE GRIND SURFACE

4. RoHS COMPLIANT



**FOR INFORMATION ONLY:
DO NOT MANUFACTURE
PARTS TO THIS DRAWING**

SPECIFICATIONS SUBJECT TO CHANGE WITHOUT NOTICE
DIMENSIONS ARE FOR REFERENCE ONLY

	S1	S2
SHAPE	PLANO	PLANO
SURFACE QUALITY	60-40	60-40
SURFACE FLATNESS	1 λ	1 λ
BEVEL	PROTECTIVE AS NEEDED	PROTECTIVE AS NEEDED

THIRD ANGLE PROJECTION

ALL DIMS IN mm

EO® Edmund Optics®

TITLE

40mm DIAMETER MGF2 COATED, B270 WINDOW

DWG NO

45571

SHEET 1 OF 1