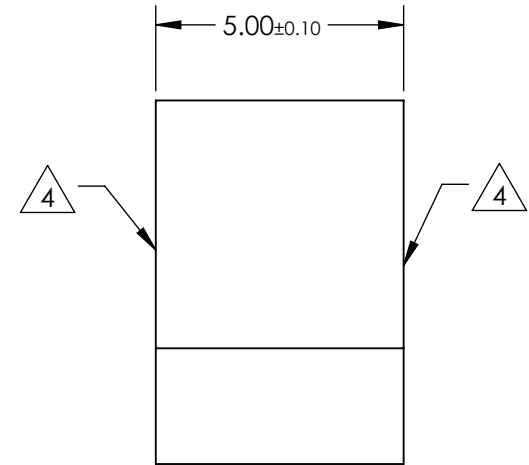
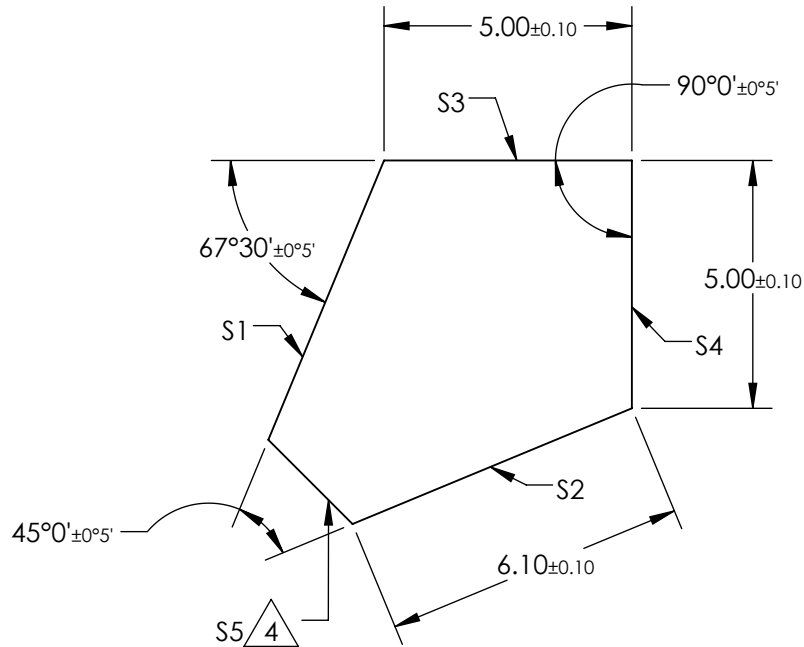


NOTES:

- 1. SUBSTRATE MATERIAL: N-BK7
- 2. ROHS COMPLIANT
- 3. COATING (APPLY ACROSS CLEAR APERTURE)
 - S1 & S2: R(avg) >85% @ 400 - 700nm W/BLACK OVERPAINT
 - S3 & S4: R(avg) ≤1.75% @ 400 - 700nm
 - S5: BLACK PAINT

4. FINE GRIND SURFACE

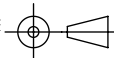
FOR INFORMATION ONLY:
DO NOT MANUFACTURE
PARTS TO THIS DRAWING



SPECIFICATIONS SUBJECT TO CHANGE WITHOUT NOTICE
DIMENSIONS ARE FOR REFERENCE ONLY

REV. A	S1	S2
SHAPE	PLANO	PLANO
ANGLE TOL.	±5 arcmin	±5 arcmin
SURFACE QUALITY	60-40	60-40
SURFACE FLATNESS	λ/4	λ/4
BEVEL	PROTECTIVE AS NEEDED	PROTECTIVE AS NEEDED

THIRD ANGLE PROJECTION



ALL DIMS IN

mm



TITLE

5mm, MgF2 COATED, PENTA PRISM

DWG NO

45112

SHEET
1 OF 1