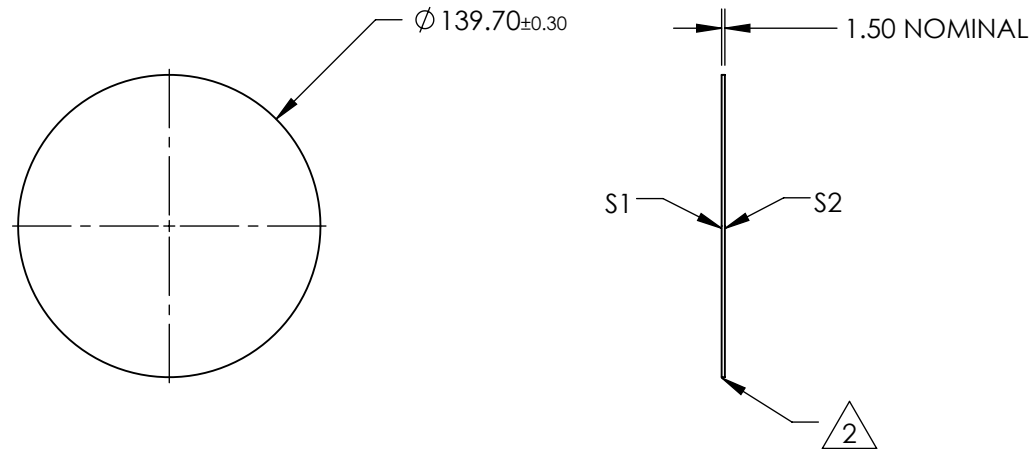
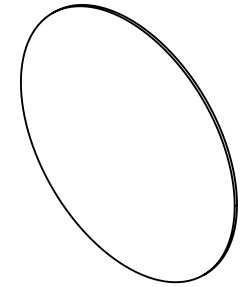


NOTES:

- 1. SUBSTRATE:
THERMOSET ADC (CR-39®)
- 2. FINE GROUND SURFACE
- 3. RoHS COMPLIANT



**FOR INFORMATION ONLY:
DO NOT MANUFACTURE
PARTS TO THIS DRAWING**

SPECIFICATIONS SUBJECT TO CHANGE WITHOUT NOTICE
DIMENSIONS ARE FOR REFERENCE ONLY

EO® Edmund Optics®

	S1	S2	THIRD ANGLE PROJECTION		TITLE	5.5" DIAMETER, PLASTIC OPTICAL WINDOW	
SHAPE	PLANO	PLANO			DWG NO	43926	SHEET 1 OF 1
WAVELENGTH RANGE	400 - 1500nm	400 - 1500nm	ALL DIMS IN	mm			
BEVEL	PROTECTIVE AS NEEDED	PROTECTIVE AS NEEDED					