

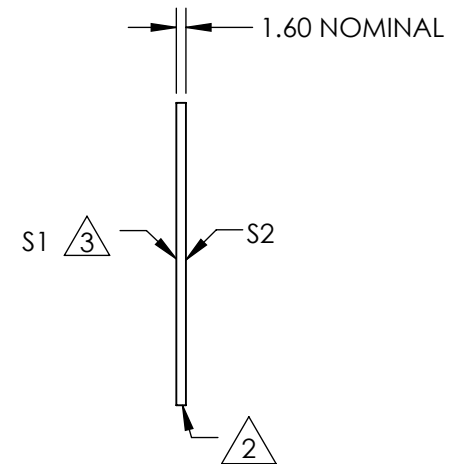
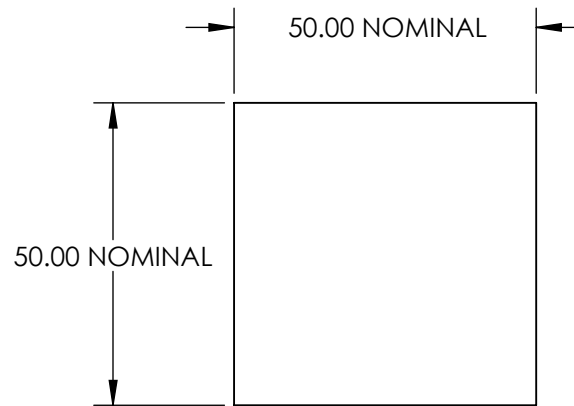
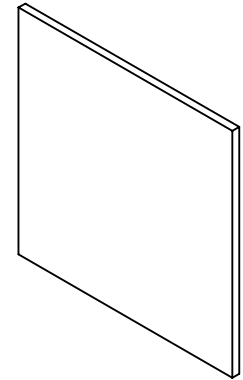
NOTES:

1. SUBSTRATE:
FLOAT GLASS

2 EDGES CUT AND SEAMED

3 SANDBLASTED AT A 120 GRIT WITH TWO ORTHOGONAL PASSES

4. RoHS COMPLIANT



**FOR INFORMATION ONLY:
DO NOT MANUFACTURE
PARTS TO THIS DRAWING**

SPECIFICATIONS SUBJECT TO CHANGE WITHOUT NOTICE
DIMENSIONS ARE FOR REFERENCE ONLY

EO® Edmund Optics®

	S1	S2	THIRD ANGLE PROJECTION		TITLE	50 x 50mm SANDBLASTED GLASS	
SHAPE	PLANO	PLANO	ALL DIMS IN	mm	DWG NO	43724	SHEET 1 OF 1
WAVELENGTH RANGE	350 - 2000nm	350 - 2000nm					
BEVEL	PROTECTIVE AS NEEDED	PROTECTIVE AS NEEDED					