

NOTES:

1. SUBSTRATE MATERIAL: BOROFLOAT®

2. COATING (APPLY ACROSS CLEAR APERTURE)

S1: UV ENHANCED ALUMINUM

R(avg) >89% @ 250 - 450nm

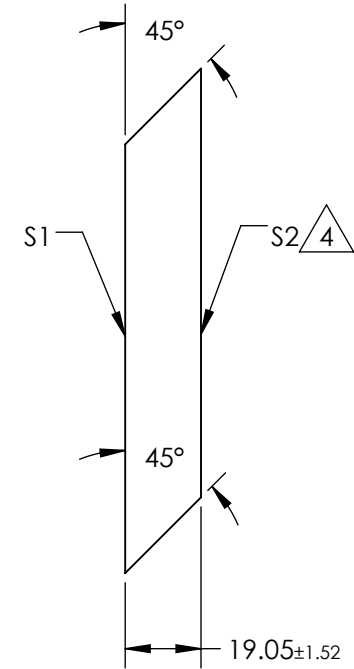
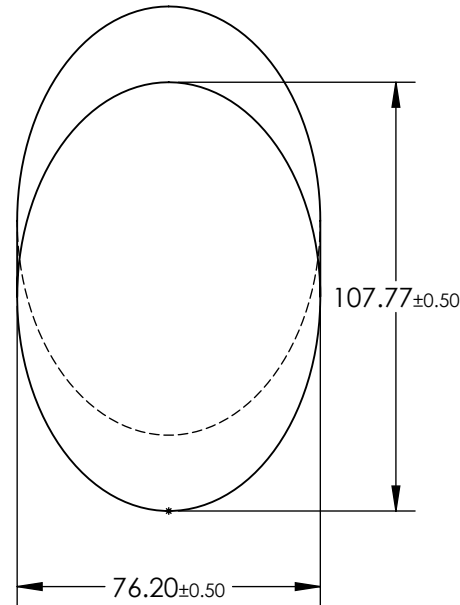
R(avg) >85% @ 250 - 700nm

DENSITY LIMIT: 0.5 J/cm² @ 355nm, 10ns

S2: NONE

3. FINE GRIND SURFACE

4. RoHS COMPLIANT

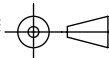


**FOR INFORMATION ONLY:
DO NOT MANUFACTURE
PARTS TO THIS DRAWING**

SPECIFICATIONS SUBJECT TO CHANGE WITHOUT NOTICE
DIMENSIONS ARE FOR REFERENCE ONLY

REV. A	S1	S2
TYPE	PLANO	PLANO
WAVELENGTH RANGE (nm)	250 - 700	250 - 700
SURFACE QUALITY	60-40	N/A
SURFACE FLATNESS	$\lambda/8$	N/A
BEVEL	PROTECTIVE AS NEEDED	PROTECTIVE AS NEEDED

THIRD ANGLE
PROJECTION



ALL DIMS IN

mm

EO® Edmund Optics®

TITLE

76.2mm, MINOR AXIS UV ENHANCED
ALUMINUM ELLIPTICAL MIRROR

DWG NO

43581

SHEET
1 OF 1