

NOTES:

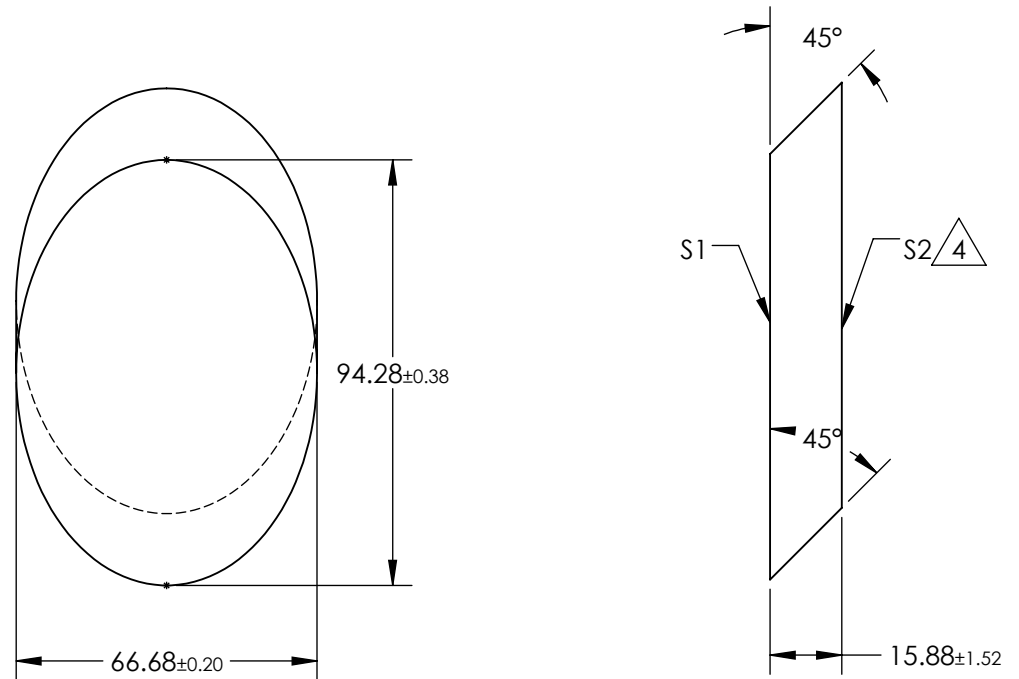
1. SUBSTRATE MATERIAL: BOROFLOAT®
2. COATING (APPLY ACROSS CLEAR APERTURE)

S1: R(AVG) >89% @ 250 - 450nm
 R(AVG) >85% @ 250 - 700nm

S2: NONE

3. FINE GRIND SURFACE

4. RoHS COMPLIANT

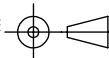


**FOR INFORMATION ONLY:
 DO NOT MANUFACTURE
 PARTS TO THIS DRAWING**

SPECIFICATIONS SUBJECT TO CHANGE WITHOUT NOTICE
 DIMENSIONS ARE FOR REFERENCE ONLY

| | | |
|---------------------|----------------------|----------------------|
| | S1 | S2 |
| TYPE | PLANO | PLANO |
| CLEAR APERTURE (mm) | 84.86 x 60.02 | N/A |
| SURFACE QUALITY | 60-40 | N/A |
| SURFACE FLATNESS | $\lambda/8$ | N/A |
| BEVEL | PROTECTIVE AS NEEDED | PROTECTIVE AS NEEDED |

THIRD ANGLE
 PROJECTION



ALL DIMS IN

mm

EO® Edmund Optics®

TITLE

66.68mm, MINOR AXIS UV ENHANCED
 ALUMINUM ELLIPTICAL MIRROR

DWG NO

43580

SHEET
 1 OF 1