

NOTES:

1. SUBSTRATE MATERIAL: BOROFLOAT®

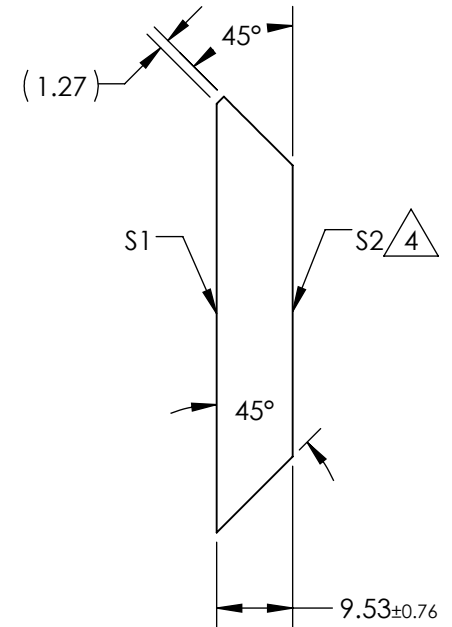
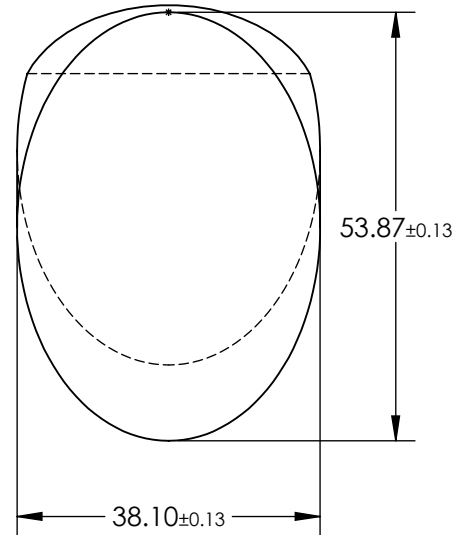
2. COATING (APPLY ACROSS CLEAR APERTURE)

S1: R(AVG) >89% @ 250 - 450nm  
 R(AVG) >85% @ 250 - 700nm

S2: NONE

3. FINE GRIND SURFACE

4. RoHS COMPLIANT

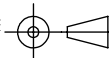


**FOR INFORMATION ONLY:  
 DO NOT MANUFACTURE  
 PARTS TO THIS DRAWING**

SPECIFICATIONS SUBJECT TO CHANGE WITHOUT NOTICE  
 DIMENSIONS ARE FOR REFERENCE ONLY

	S1	S2
TYPE	PLANO	PLANO
CLEAR APERTURE (mm)	48.49 x 34.29	N/A
SURFACE QUALITY	60-40	N/A
SURFACE FLATNESS	λ/8	N/A
BEVEL	PROTECTIVE AS NEEDED	PROTECTIVE AS NEEDED

THIRD ANGLE PROJECTION



ALL DIMS IN

mm



TITLE	38.1mm, MINOR AXIS UV ENHANCED ALUMINUM ELLIPTICAL MIRROR
DWG NO	43577
SHEET	1 OF 1