

NOTES:

1. SUBSTRATE MATERIAL: BOROFLOAT®

2. COATING (APPLY ACROSS CLEAR APERTURE)

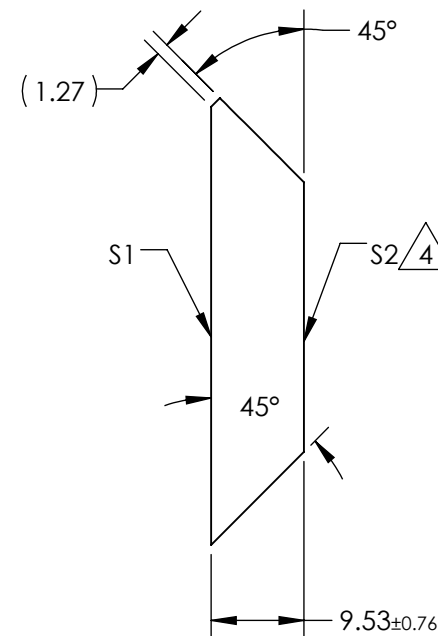
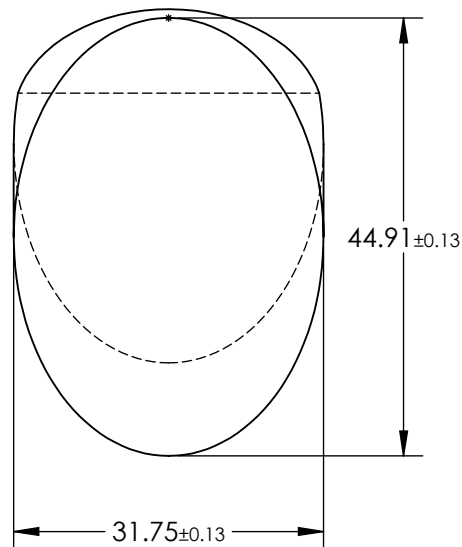
S1: R(AVG) >89% @ 250 - 450nm

R(AVG) >85% @ 250 - 700nm

S2: NONE

3. FINE GRIND SURFACE

4. RoHS COMPLIANT

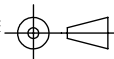


**FOR INFORMATION ONLY:
DO NOT MANUFACTURE
PARTS TO THIS DRAWING**

SPECIFICATIONS SUBJECT TO CHANGE WITHOUT NOTICE
DIMENSIONS ARE FOR REFERENCE ONLY

	S1	S2
TYPE	PLANO	PLANO
CLEAR APERTURE (mm)	40.41 x 28.56	N/A
SURFACE QUALITY	60-40	N/A
SURFACE FLATNESS	$\lambda/8$	N/A
BEVEL	PROTECTIVE AS NEEDED	PROTECTIVE AS NEEDED

THIRD ANGLE
PROJECTION



ALL DIMS IN

mm

EO® Edmund Optics®

TITLE

31.75mm, MINOR AXIS UV ENHANCED
ALUMINUM ELLIPTICAL MIRROR

DWG NO

43576

SHEET
1 OF 1