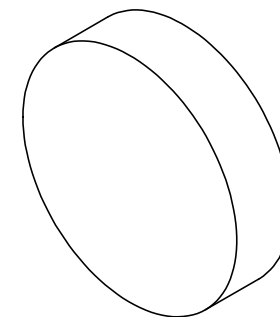


NOTES:

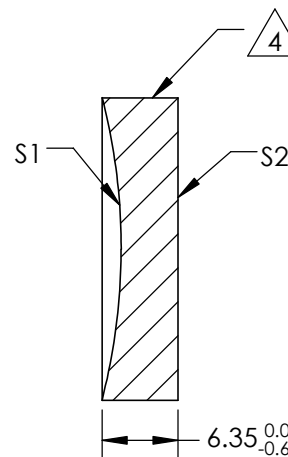
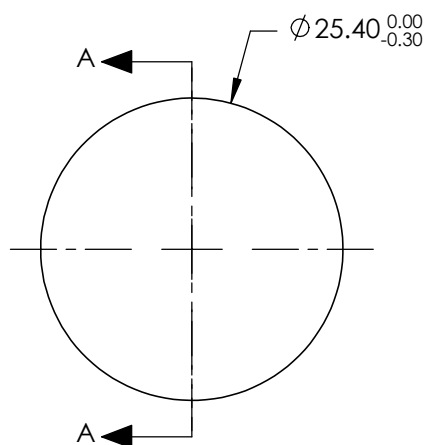
1. SUBSTRATE MATERIAL: BOROFLOAT®
2. COATING (APPLY ACROSS CLEAR APERTURE)  
UNCOATED  
S1: NONE  
  
S2: NONE
3. POWER, IRREGULARITY, SURFACE QUALITY AND COATING SPECIFICATIONS APPLY ACROSS CLEAR APERTURE

**FOR INFORMATION ONLY:  
DO NOT MANUFACTURE  
PARTS TO THIS DRAWING**



4. FINE GRIND SURFACE

5. RoHS COMPLIANT



SECTION A-A

SPECIFICATIONS SUBJECT TO CHANGE WITHOUT NOTICE  
DIMENSIONS ARE FOR REFERENCE ONLY

REV. A	S1	S2
SHAPE	CONCAVE	PLANO
RADIUS	50.8mm	N/A
EFFECTIVE FOCAL LENGTH	25.4mm	N/A
FOCAL LENGTH TOLERANCE	±2%	N/A
SURFACE QUALITY	60-40	FINE GROUND
SURFACE FLATNESS	λ/4	N/A
BEVEL	PROTECTIVE AS NEEDED	PROTECTIVE AS NEEDED

THIRD ANGLE PROJECTION

ALL DIMS IN mm

**EO**® Edmund Optics®

TITLE Ø1in, 1in FL UNCOATED, SPHERICAL MIRROR

DWG NO 43335

SHEET 1 OF 1