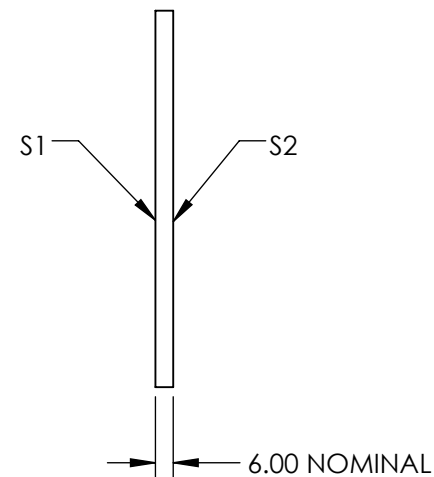
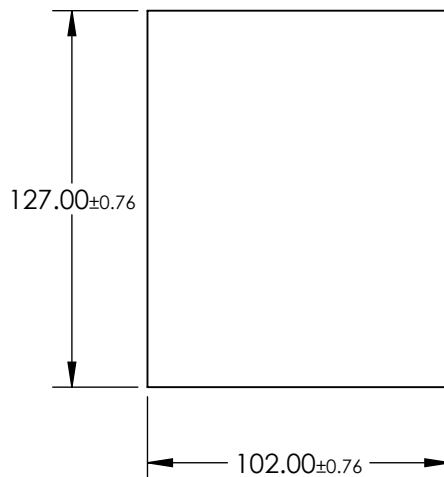
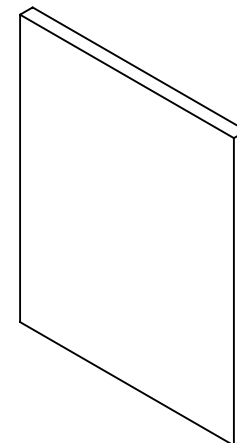


NOTES:

- 1. SUBSTRATE MATERIAL:  
FLOAT GLASS
- 3. COATING (APPLY ACROSS CLEAR APERTURE)  
  
S1: R(avg) >85% @ 400 - 700nm  
  
S2: NONE
- 3. ROHS COMPLIANT



**FOR INFORMATION ONLY:  
DO NOT MANUFACTURE  
PARTS TO THIS DRAWING**

SPECIFICATIONS SUBJECT TO CHANGE WITHOUT NOTICE  
DIMENSIONS ARE FOR REFERENCE ONLY

REV. A	S1	S2
SHAPE	PLANO	PLANO
ANGLE OF INCIDENCE	45°	N/A
SURFACE QUALITY	80-50	80-50
SURFACE FLATNESS	4 - 6λ	4 - 6λ
BEVEL	PROTECTIVE AS NEEDED	PROTECTIVE AS NEEDED

THIRD ANGLE PROJECTION

ALL DIMS IN mm



TITLE	102 x 127mm, 4-6λ Mirror	
DWG NO	40042	SHEET 1 OF 1