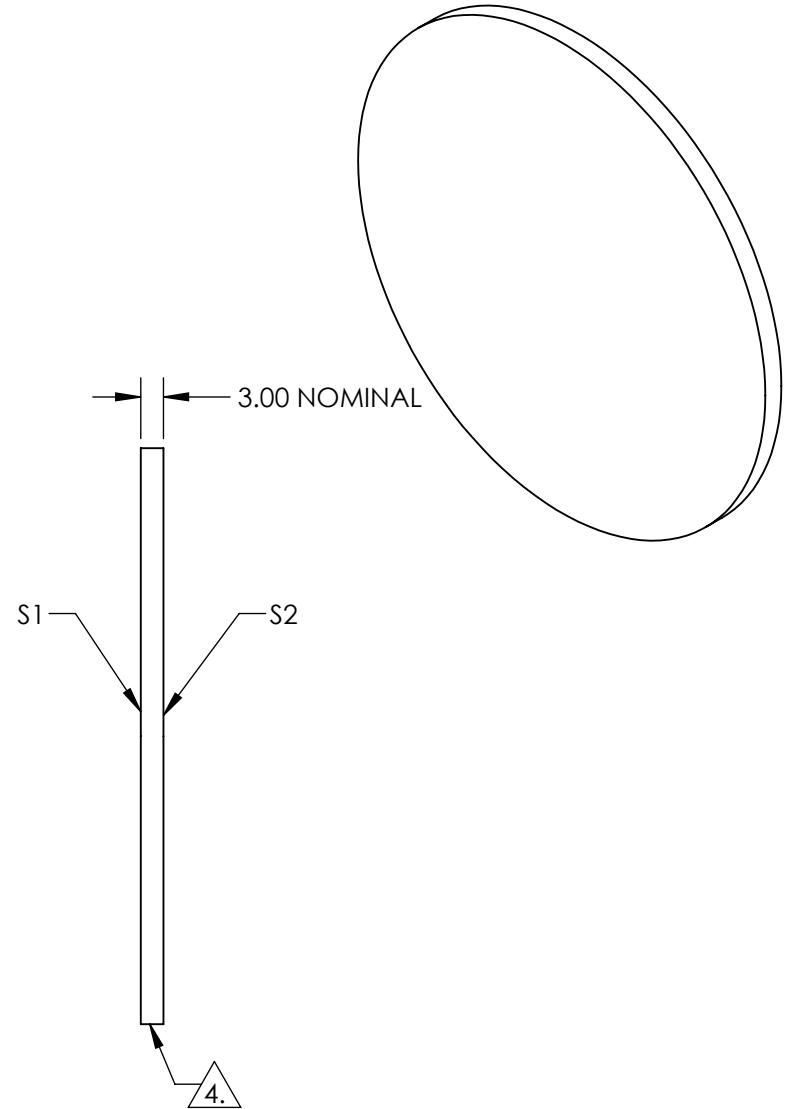
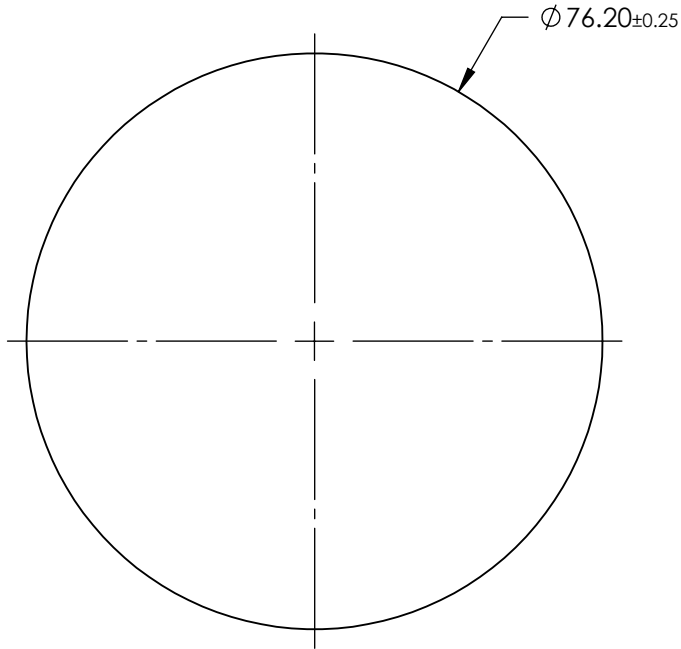


NOTES:

- 1. SUBSTRATE: Float Glass
- 2. ROHS COMPLIANT
- 3. COATING (APPLY ACROSS CLEAR APERTURE)

S1: Ravg >98% @ 450 - 2000nm  
 Ravg >98% @ 2000 - 10,000nm  
 S2: NONE

4. FINE GRIND SURFACE



**FOR INFORMATION ONLY:  
 DO NOT MANUFACTURE  
 PARTS TO THIS DRAWING**

SPECIFICATIONS SUBJECT TO CHANGE WITHOUT NOTICE  
 DIMENSIONS ARE FOR REFERENCE ONLY



|                  | S1                  | S2                  |
|------------------|---------------------|---------------------|
| SURFACE QUALITY  | 60-40               | 60-40               |
| SURFACE FLATNESS | 4 - 6λ              | 4 - 6λ              |
| BEVEL            | PROTECTED AS NEEDED | PROTECTED AS NEEDED |



ALL DIMS IN mm

|        |  |       |        |
|--------|--|-------|--------|
| TITLE  | 76.2mm Dia Protected Silver, 4-6λ Mirror |       |        |
| DWG NO | 36056                                    | SHEET | 1 OF 1 |