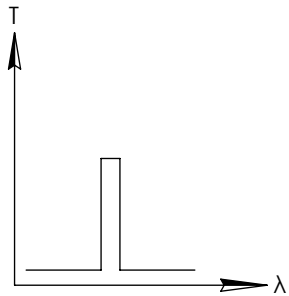
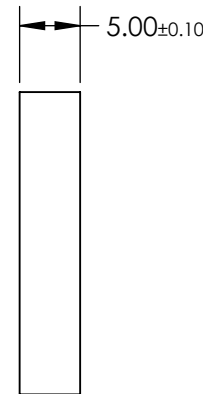
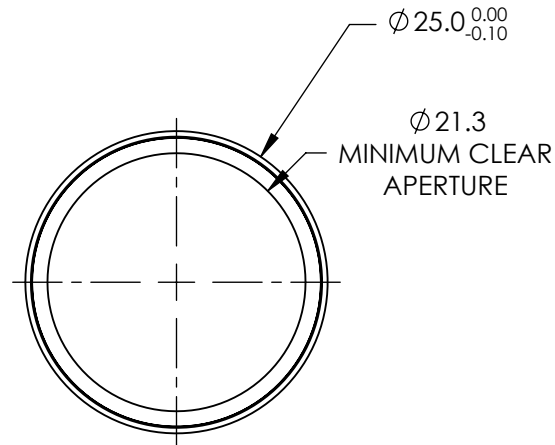
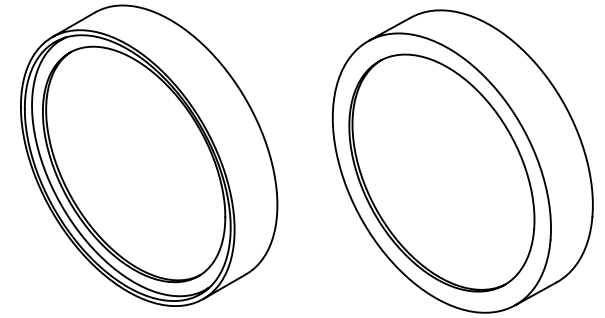


**FOR INFORMATION ONLY:
DO NOT MANUFACTURE
PARTS TO THIS DRAWING**



BANDPASS FILTER

| REV. 001 | VALUE |
|----------------------------|---|
| CENTER WAVELENGTH (CWL) | 445 ± 2 nm |
| FULL WIDTH HALF MAX (FWHM) | 10 ± 2 nm |
| MINIMUM TRANSMISSION | ≥85 |
| BLOCKING | 200 - 1200nm |
| SURFACE QUALITY | 80-50 |
| CONSTRUCTION | MOUNTED IN BLACK ANODIZED ALUMINUM RING |
| COATING TYPE | HARD COATED |
| DURABILITY | MIL-C-48497A, SECT. 3.4.1 |
| ENVIRONMENTAL | MIL-STD-801F, SECT. 507.4 |

SPECIFICATIONS SUBJECT TO CHANGE WITHOUT NOTICE
DIMENSIONS ARE FOR REFERENCE ONLY

EO® **Edmund Optics**®



THIRD ANGLE
PROJECTION

TITLE

OD4, Ø25mm, 445nm x 10nm, HC, BP FILTER

ALL DIMS IN

mm

DWG NO

34500

SHEET
1 OF 1