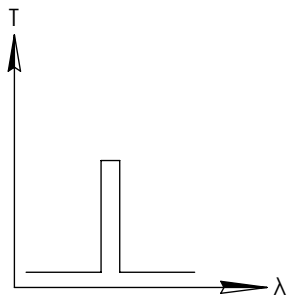
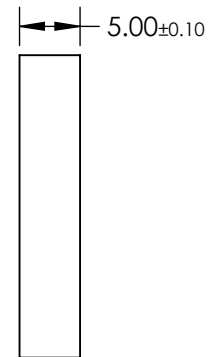
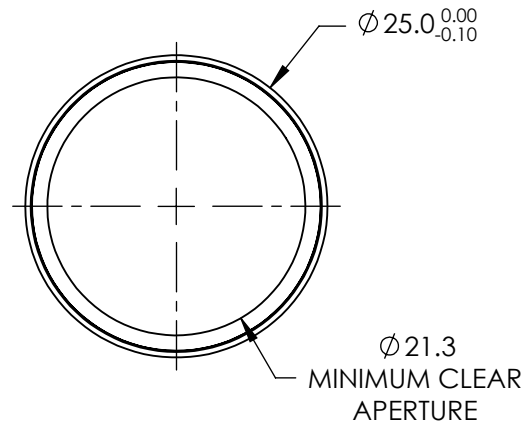
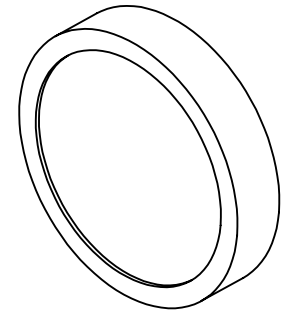


**FOR INFORMATION ONLY:  
DO NOT MANUFACTURE  
PARTS TO THIS DRAWING**



BANDPASS FILTER

SPECIFICATIONS SUBJECT TO CHANGE WITHOUT NOTICE  
DIMENSIONS ARE FOR REFERENCE ONLY

|                          | VALUE                                   |
|--------------------------|---|
| CENTER WAVELENGTH (nm)   | 355nm                                   |
| FULL WIDTH HALF MAX (nm) | 10nm                                    |
| MINIMUM TRANSMISSION     | $\geq 85$                               |
| BLOCKING                 | 200 - 1200                              |
| SURFACE QUALITY          | 80-50                                   |
| CONSTRUCTION             | MOUNTED IN BLACK ANODIZED ALUMINUM RING |
| COATING TYPE             | HARD COATED                             |

**EO**® Edmund Optics®

|                        |       |   |              |
|------------------------|-------|---|--------------|
| THIRD ANGLE PROJECTION | TITLE | OD4, $\varnothing 25$ mm, 355nm x 10nm, HC, BP FILTER |              |
| ALL DIMS IN            | mm    | DWG NO  | 34491        |
|                        |       |   | SHEET 1 OF 1 |