

NOTES:

1. SUBSTRATE MATERIAL:
FUSED SILICA

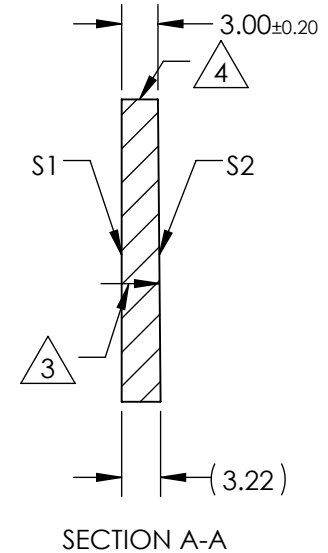
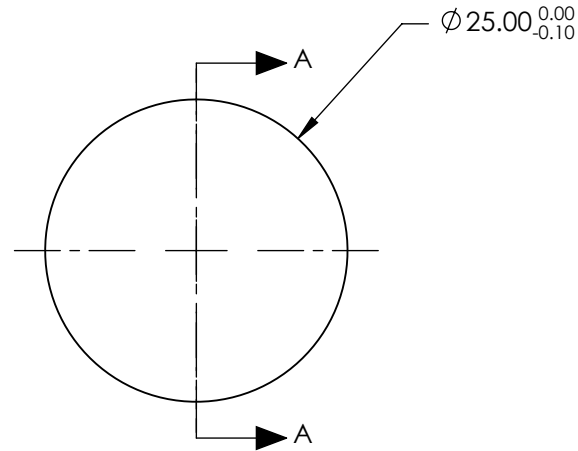
2. COATING (APPLY ACROSS CLEAR APERTURE)
S1: NONE
S2: NONE

3. ARROW POINTS TOWARDS TILTED SURFACE

4. FINE GROUND SURFACE

5. POWER, IRREGULARITY, AND SURFACE QUALITY SPECIFICATIONS APPLY ACROSS CLEAR APERTURE

6. RoHS COMPLIANT

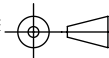


**FOR INFORMATION ONLY:
DO NOT MANUFACTURE
PARTS TO THIS DRAWING**

SPECIFICATIONS SUBJECT TO CHANGE WITHOUT NOTICE
DIMENSIONS ARE FOR REFERENCE ONLY

REV. A	S1	S2
SHAPE	PLANO	PLANO
RADIUS	∞	∞
MIN CLEAR APERTURE	$\varnothing 11.25$	$\varnothing 11.25$
SURFACE QUALITY	20-10	20-10
SURFACE ACCURACY	$\lambda/10$	$\lambda/10$
BEVEL	PROTECTIVE AS NEEDED	PROTECTIVE AS NEEDED

THIRD ANGLE PROJECTION



ALL DIMS IN

mm

EO® Edmund Optics®

TITLE

25mm FUSED SILICA WEDGED WINDOW

DWG NO

34242

SHEET
1 OF 1