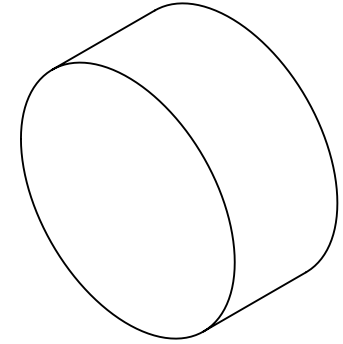


NOTES:

**FOR INFORMATION ONLY:
DO NOT MANUFACTURE
PARTS TO THIS DRAWING**

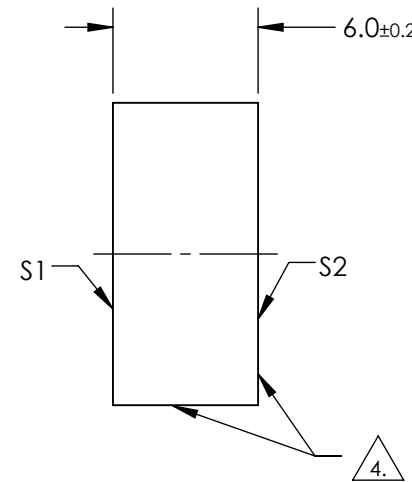
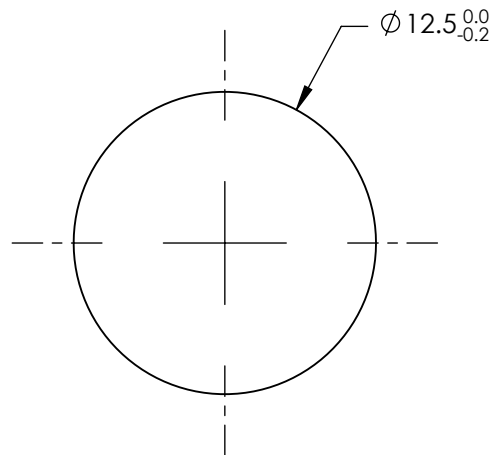


1. SUBSTRATE: FUSED SILICA
2. SURFACE S2 TO BE PARALLEL WITH SURFACE S1 TO WITHIN <3 arcmin
3. COATING SPECIFICATIONS APPLY ACROSS COATING APERTURE
 S1: R(avg) ≥78% @ 120 - 125nm
 R(avg) ≥88% @ 120 - 700nm
 S2: UNCOATED

4. S2 & EDGES: FINE GRIND SURFACE

5. POWER, IRREGULARITY, AND SURFACE QUALITY SPECIFICATIONS APPLY ACROSS CLEAR APERTURE

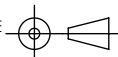
6. ROHS COMPLIANT



SPECIFICATIONS SUBJECT TO CHANGE WITHOUT NOTICE
DIMENSIONS ARE FOR REFERENCE ONLY

	S1	S2
SHAPE	PLANO	PLANO
SURFACE QUALITY	10-5	N/A
SURFACE FLATNESS	λ/10	N/A
COATING TYPE	METAL	N/A
COATING	VUV ENHANCED ALUMINUM	N/A
BEVEL	PROTECTIVE AS NEEDED	PROTECTIVE AS NEEDED

EO® Edmund Optics®

THIRD ANGLE PROJECTION 

ALL DIMS IN mm

TITLE	Ø12.5mm, VACUUM UV ENHANCED MIRROR	
DWG NO	33912	SHEET 1 OF 1