

NOTES:

1. SUBSTRATE MATERIAL:
BOROFLOAT®

2. COATING (APPLY ACROSS CLEAR APERTURE)

S1: PROTECTED GOLD

R(avg) >94% @ 700 - 800nm

R(avg) >97% @ 800 - 10000 nm

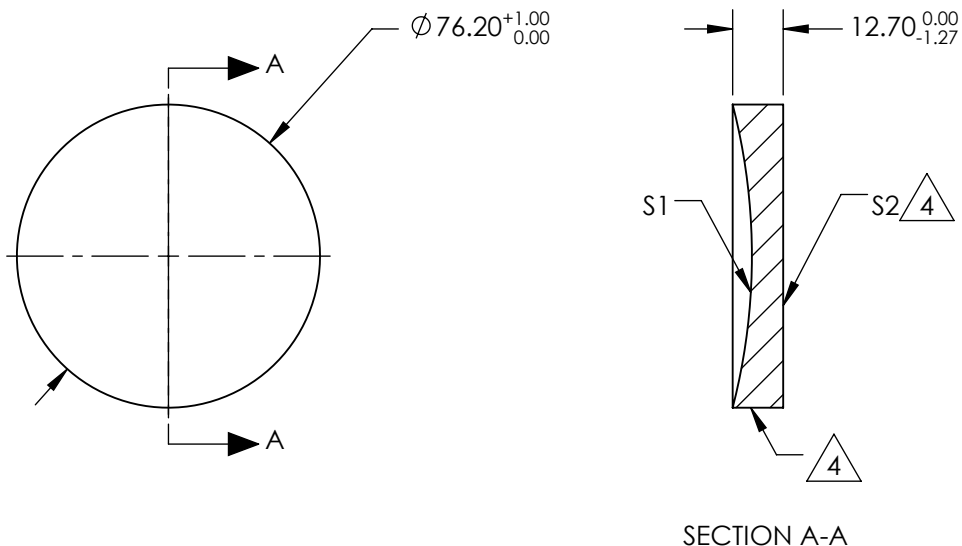
DENSITY LIMIT: 0.8 J/cm² @ 1064nm, 10ns

S2: NONE

3. POWER, IRREGULARITY, SURFACE QUALITY, AND COATING SPECIFICATIONS APPLY ACROSS CLEAR APERTURE

△ FINE GROUND SURFACE

5. ROHS COMPLIANT

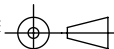


**FOR INFORMATION ONLY:
DO NOT MANUFACTURE
PARTS TO THIS DRAWING**

SPECIFICATIONS SUBJECT TO CHANGE WITHOUT NOTICE
DIMENSIONS ARE FOR REFERENCE ONLY

REV. A	S1	S2
SHAPE	CONCAVE	PLANO
EFFECTIVE FOCAL LENGTH	76.2mm	N/A
FOCAL LENGTH TOLERANCE	±2%	N/A
APERTURE	f/1	N/A
SURFACE QUALITY	60-40	60-40
SURFACE FLATNESS	λ/4	λ/4
BEVEL	PROTECTIVE AS NEEDED	PROTECTIVE AS NEEDED

THIRD ANGLE PROJECTION



ALL DIMS IN

mm

EO® Edmund Optics®

TITLE

Ø3in, 3in FL PROTECTED GOLD, SPHERICAL MIRROR

DWG NO

32825

SHEET 1 OF 1