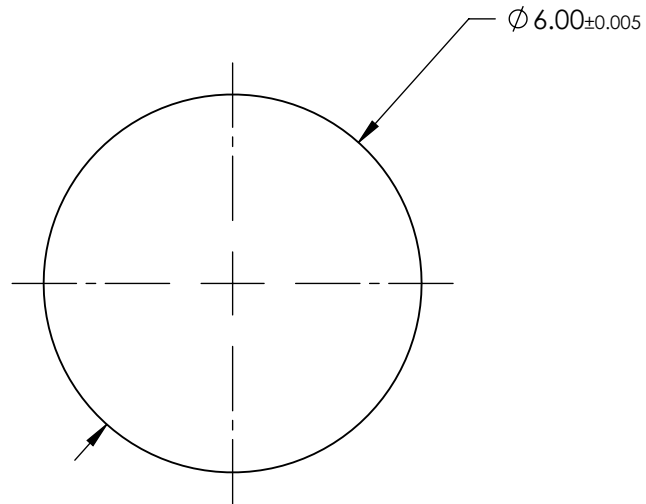


NOTES:

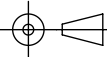
1. SUBSTRATE MATERIAL:  
N-BK7
2. COATING - NONE
3. FINISH: POLISHED
4. SPHERICITY:  
5 $\mu$ m
5. RoHS COMPLIANT



SPECIFICATIONS SUBJECT TO CHANGE WITHOUT NOTICE  
DIMENSIONS ARE FOR REFERENCE ONLY

**FOR INFORMATION ONLY:  
DO NOT MANUFACTURE  
PARTS TO THIS DRAWING**

 **Edmund Optics<sup>®</sup>**

THIRD ANGLE PROJECTION 		TITLE	6.0mm DIAMETER, N-BK7 BALL LENS	
ALL DIMS IN	mm	DWG NO	32746	SHEET 1 OF 1