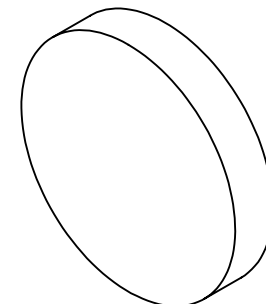


NOTES:

1. SUBSTRATE MATERIAL: BOROFLOAT®/SUPREMAX®

**FOR INFORMATION ONLY:  
DO NOT MANUFACTURE  
PARTS TO THIS DRAWING**



2. PARABOLIC SURFACE:

$$Z=Y^2/[4 * EFL]$$

3. COATING (APPLY ACROSS CLEAR APERTURE)

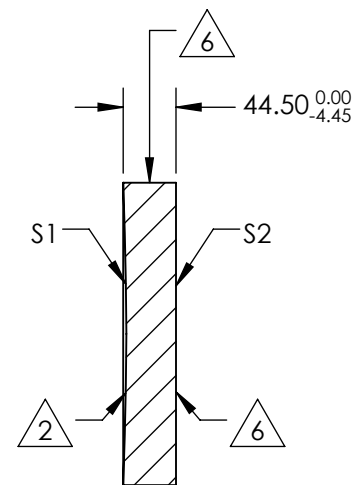
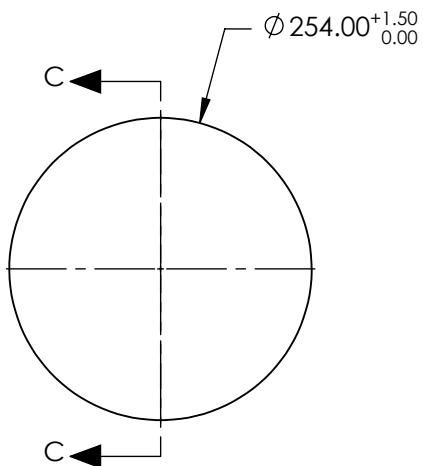
S1: Ravg >96% @ 700 - 2000  
Ravg >96% @ 2000 - 10000nm  
S2: NONE

4. EDGES: MOLDED EDGE ACCEPTABLE

5. POWER, IRREGULARITY, SURFACE QUALITY AND COATING SPECIFICATIONS APPLY ACROSS CLEAR APERTURE

6. FINE GRIND SURFACE

7. RoHS COMPLIANT



SECTION C-C

SPECIFICATIONS SUBJECT TO CHANGE WITHOUT NOTICE  
DIMENSIONS ARE FOR REFERENCE ONLY

| REV. A                 | S1                   | S2                   |
|------------------------|----------------------|----------------------|
| SHAPE                  | CONCAVE              | PLANO                |
| EFFECTIVE FOCAL LENGTH | 1524nm               | N/A                  |
| FOCAL LENGTH TOLERANCE | ±1.5%                | N/A                  |
| SURFACE QUALITY        | 60-40                | FINE GRIND           |
| SURFACE FLATNESS       | λ/8                  | N/A                  |
| BEVEL                  | PROTECTIVE AS NEEDED | PROTECTIVE AS NEEDED |



ALL DIMS IN mm

|        |  |
|--------|--|
|        |  |
| TITLE  | 10" Diameter x 60" FL Protected Gold, Parabolic Mirror |
| DWG NO | 32274566   |
| SHEET  | 1 OF 1   |