

NOTES:

1. SUBSTRATE MATERIAL: BOROFLOAT®

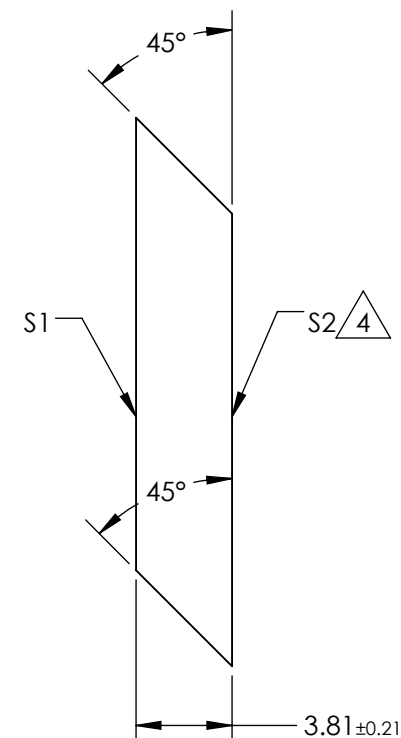
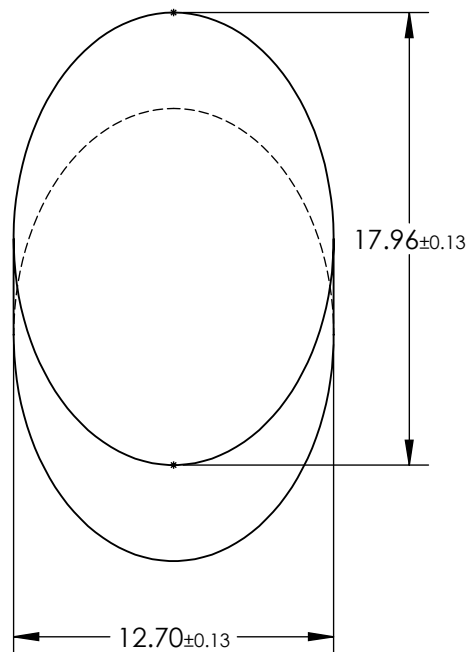
2. COATING (APPLY ACROSS CLEAR APERTURE)

S1: R(AVG) >96% @ 700 - 2000nm
 R(AVG) >96% @ 2000 - 10,000nm

S2: NONE

3. FINE GRIND SURFACE

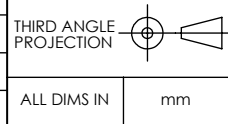
4. RoHS COMPLIANT



**FOR INFORMATION ONLY:
 DO NOT MANUFACTURE
 PARTS TO THIS DRAWING**

SPECIFICATIONS SUBJECT TO CHANGE WITHOUT NOTICE
 DIMENSIONS ARE FOR REFERENCE ONLY

	S1	S2
TYPE	PLANO	PLANO
CLEAR APERTURE (mm)	16.15 x 11.43	N/A
SURFACE QUALITY	60-40	N/A
SURFACE FLATNESS	$\lambda/8$	N/A
BEVEL	PROTECTIVE AS NEEDED	PROTECTIVE AS NEEDED



EO® Edmund Optics®

TITLE	12.7mm, MINOR AXIS PROTECTED GOLD ELLIPTICAL MIRROR		
DWG NO	32273	SHEET	1 OF 1

ALL DIMS IN mm