

NOTES:

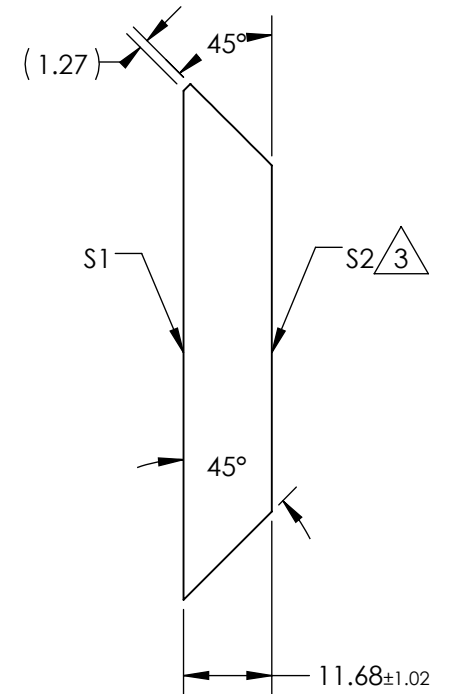
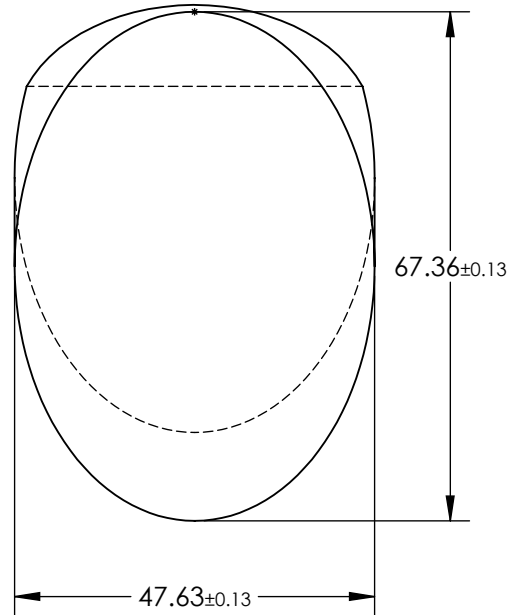
- 1. SUBSTRATE MATERIAL: BOROFLOAT®
- 2. COATING (APPLY ACROSS CLEAR APERTURE)

S1: R(AVG) >95% @ 450 - 650nm

S2: NONE

3. FINE GRIND SURFACE

4. RoHS COMPLIANT

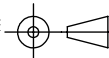


**FOR INFORMATION ONLY:  
DO NOT MANUFACTURE  
PARTS TO THIS DRAWING**

SPECIFICATIONS SUBJECT TO CHANGE WITHOUT NOTICE  
DIMENSIONS ARE FOR REFERENCE ONLY

|                     |                      |                      |
|---------------------|----------------------|----------------------|
|                     | S1                   | S2                   |
| TYPE                | PLANO                | PLANO                |
| CLEAR APERTURE (mm) | 60.63 x 42.88        | N/A                  |
| SURFACE QUALITY     | 60-40                | N/A                  |
| SURFACE FLATNESS    | $\lambda/8$          | N/A                  |
| BEVEL               | PROTECTIVE AS NEEDED | PROTECTIVE AS NEEDED |

THIRD ANGLE  
PROJECTION



ALL DIMS IN

mm

**EO**® Edmund Optics®

TITLE

47.63mm, MINOR AXIS ENHANCED ALUMINUM  
ELLIPTICAL MIRROR

DWG NO

32135

SHEET  
1 OF 1