

NOTES:

1. SUBSTRATE MATERIAL: BOROFLOAT®

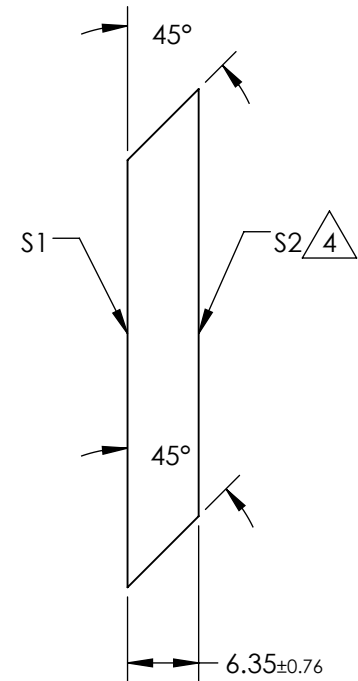
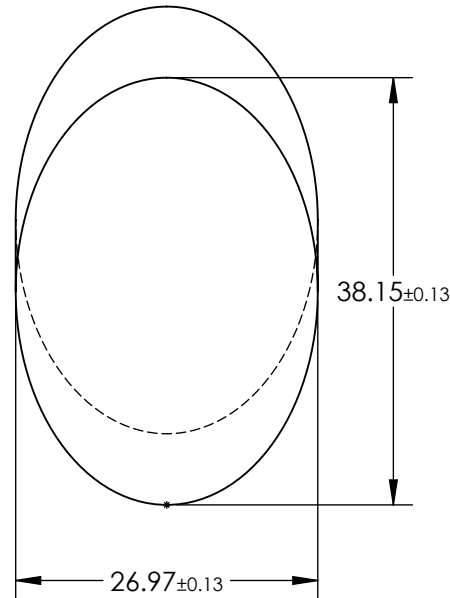
2. COATING (APPLY ACROSS CLEAR APERTURE)

S1: ENHANCED ALUMINUM  
R(avg) >95% @ 450 - 650nm

DENSITY LIMIT: 0.2 J/cm<sup>2</sup> @ 532nm, 10ns  
S2: NONE

3. FINE GRIND SURFACE

4. RoHS COMPLIANT

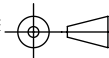


**FOR INFORMATION ONLY:  
DO NOT MANUFACTURE  
PARTS TO THIS DRAWING**

SPECIFICATIONS SUBJECT TO CHANGE WITHOUT NOTICE  
DIMENSIONS ARE FOR REFERENCE ONLY

REV. A	S1	S2
TYPE	PLANO	PLANO
WAVELENGTH RANGE (nm)	450 - 650	450 - 650
SURFACE QUALITY	60-40	N/A
SURFACE FLATNESS	λ/8	N/A
BEVEL	PROTECTIVE AS NEEDED	PROTECTIVE AS NEEDED

THIRD ANGLE  
PROJECTION



ALL DIMS IN

mm



TITLE 26.97mm, MINOR AXIS ENHANCED ALUMINUM ELLIPTICAL MIRROR

DWG NO

32132

SHEET  
1 OF 1