

NOTES:

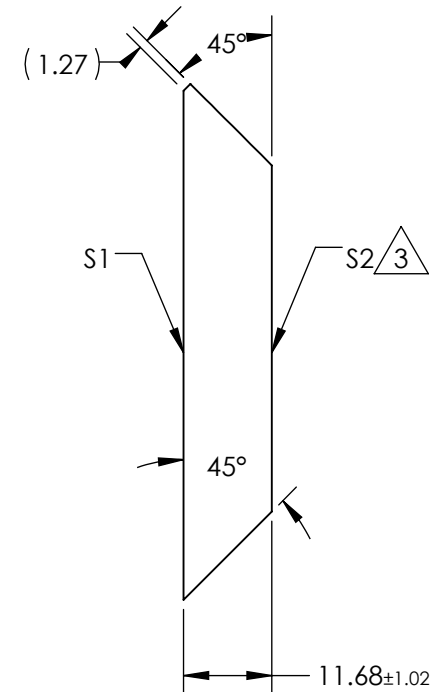
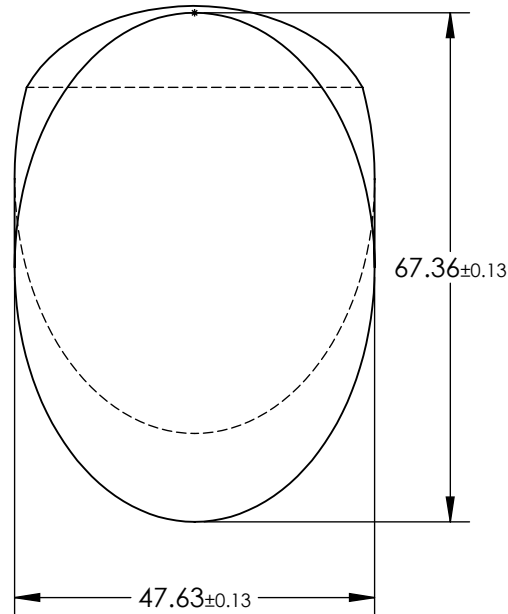
1. SUBSTRATE MATERIAL: BOROFLOAT®
2. COATING (APPLY ACROSS CLEAR APERTURE)

S1: R(AVG) >96% @ 700 - 2000nm  
 R(AVG) >96% @ 2000 - 10,000nm

S2: NONE

3. FINE GRIND SURFACE

4. RoHS COMPLIANT

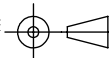


**FOR INFORMATION ONLY:  
 DO NOT MANUFACTURE  
 PARTS TO THIS DRAWING**

SPECIFICATIONS SUBJECT TO CHANGE WITHOUT NOTICE  
 DIMENSIONS ARE FOR REFERENCE ONLY

	S1	S2
TYPE	PLANO	PLANO
CLEAR APERTURE (mm)	60.63 x 42.88	N/A
SURFACE QUALITY	60-40	N/A
SURFACE FLATNESS	$\lambda/8$	N/A
BEVEL	PROTECTIVE AS NEEDED	PROTECTIVE AS NEEDED

THIRD ANGLE PROJECTION



ALL DIMS IN

mm

**EO**® Edmund Optics®

TITLE

47.63mm, MINOR AXIS PROTECTED GOLD ELLIPTICAL MIRROR

DWG NO

32089

SHEET 1 OF 1