

NOTES:

1. SUBSTRATE MATERIAL: BOROFLOAT®

2. COATING (APPLY ACROSS CLEAR APERTURE)

S1: Protected Aluminum

R(avg) >85% @ 400 - 700nm

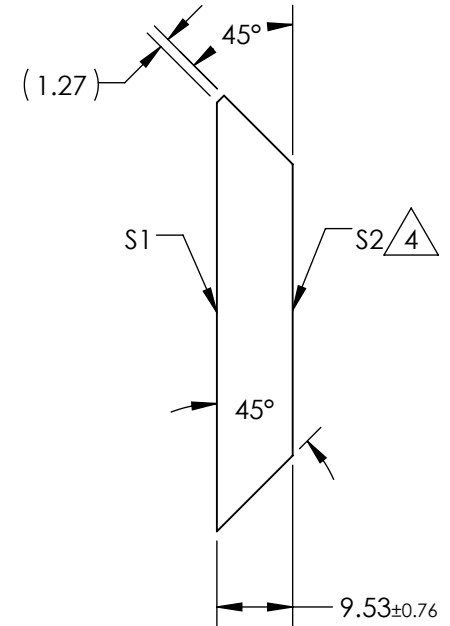
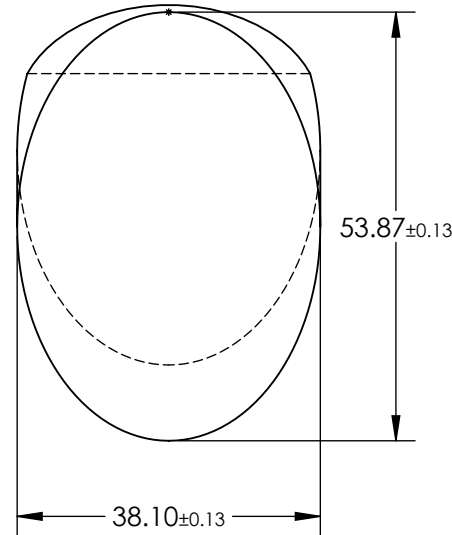
R(avg) >90% @ 400 - 2000nm

DENSITY LIMIT: 0.3 J/cm² @ 532nm & 1064nm, 10ns

S2: NONE

3. FINE GRIND SURFACE

4. RoHS COMPLIANT

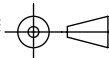


**FOR INFORMATION ONLY:
DO NOT MANUFACTURE
PARTS TO THIS DRAWING**

SPECIFICATIONS SUBJECT TO CHANGE WITHOUT NOTICE
DIMENSIONS ARE FOR REFERENCE ONLY

REV. A	S1	S2
TYPE	PLANO	PLANO
WAVELENGTH RANGE (nm)	400 - 2000	400 - 2000
SURFACE QUALITY	60-40	N/A
SURFACE FLATNESS	λ/8	N/A
BEVEL	PROTECTIVE AS NEEDED	PROTECTIVE AS NEEDED

THIRD ANGLE PROJECTION



ALL DIMS IN

mm

EO® Edmund Optics®

TITLE

38.1mm, MINOR AXIS PROTECTED ALUM.
ELLIPTICAL MIRROR

DWG NO

30258

SHEET
1 OF 1