

NOTES:

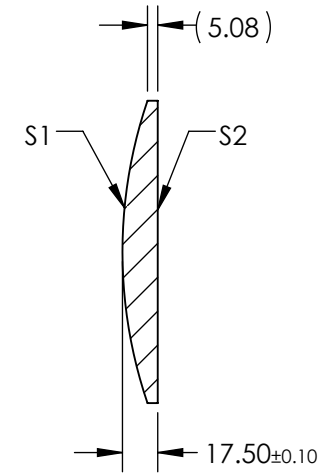
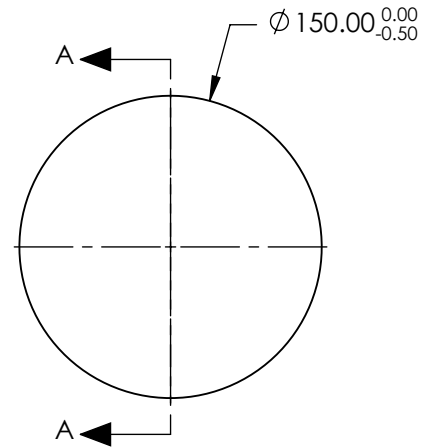
1. SUBSTRATE MATERIAL:
N-BK7

2. COATING (APPLY ACROSS CLEAR APERTURE)

S1: NONE
S2: NONE

3. FINE GROUND EDGES


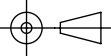
4. RoHS COMPLIANT



SECTION A-A

**FOR INFORMATION ONLY:
DO NOT MANUFACTURE
PARTS TO THIS DRAWING**

SPECIFICATIONS SUBJECT TO CHANGE WITHOUT NOTICE
DIMENSIONS ARE FOR REFERENCE ONLY

REV. A	S1	S2	EFL	450	 Edmund Optics®		
SHAPE	CONVEX	PLANO	BFL	439			
RADIUS	233	∞	THIRD ANGLE PROJECTION		TITLE	150mm DIA X 450mm FOCAL LENGTH, PCX CONDENSER LENS	
CLEAR APERTURE	Ø146.00	Ø146.00	ALL DIMS IN	mm	DWG NO	27510	SHEET 1 OF 1
BEVEL	PROTECTIVE AS NEEDED	PROTECTIVE AS NEEDED					