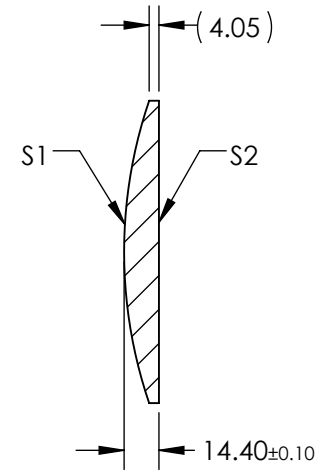
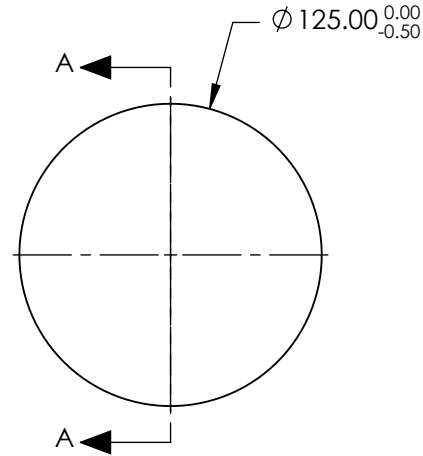


NOTES:


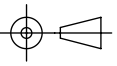
1. SUBSTRATE MATERIAL:  
N-BK7
2. COATING (APPLY ACROSS CLEAR APERTURE)  
  
S1: NONE  
S2: NONE
3. FINE GROUND EDGES
4. RoHS COMPLIANT



SECTION A-A

**FOR INFORMATION ONLY:  
DO NOT MANUFACTURE  
PARTS TO THIS DRAWING**

SPECIFICATIONS SUBJECT TO CHANGE WITHOUT NOTICE  
DIMENSIONS ARE FOR REFERENCE ONLY

REV. A	S1	S2	EFL	375	 <b>Edmund Optics®</b>		
SHAPE	CONVEX	PLANO	BFL	366			
RADIUS	194	∞	THIRD ANGLE PROJECTION		TITLE	125mm DIA X 375mm FOCAL LENGTH, PCX CONDENSER LENS	
CLEAR APERTURE	Ø122.00	Ø122.00	ALL DIMS IN	mm	DWG NO	27506	SHEET 1 OF 1
BEVEL	PROTECTIVE AS NEEDED	PROTECTIVE AS NEEDED					