

NOTES:

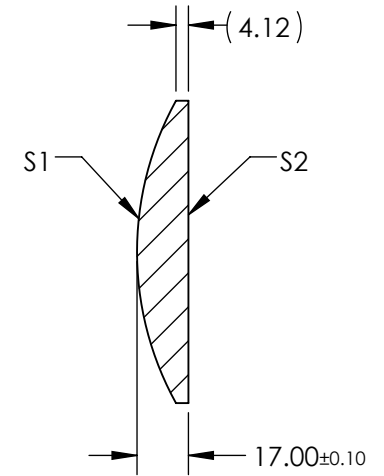
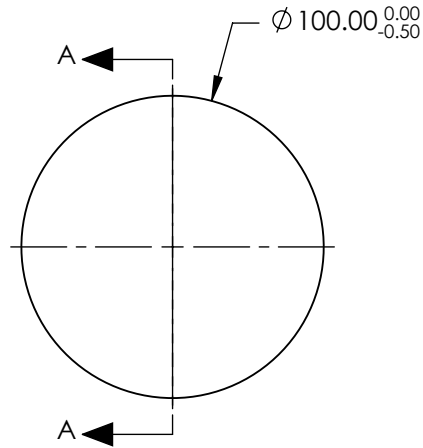
1. SUBSTRATE MATERIAL:
N-BK7

2. COATING (APPLY ACROSS CLEAR APERTURE)

S1: NONE
S2: NONE

3. FINE GROUND EDGES


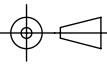
4. RoHS COMPLIANT



SECTION A-A

**FOR INFORMATION ONLY:
DO NOT MANUFACTURE
PARTS TO THIS DRAWING**

SPECIFICATIONS SUBJECT TO CHANGE WITHOUT NOTICE
DIMENSIONS ARE FOR REFERENCE ONLY

REV. A	S1	S2	EFL	200	 Edmund Optics®		
SHAPE	CONVEX	PLANO	BFL	189			
RADIUS	103.5	∞	THIRD ANGLE PROJECTION		TITLE	100mm DIA X 200mm FOCAL LENGTH, PCX CONDENSER LENS	
CLEAR APERTURE	Ø97.00	Ø97.00	ALL DIMS IN	mm	DWG NO	27501	SHEET 1 OF 1
BEVEL	PROTECTIVE AS NEEDED	PROTECTIVE AS NEEDED					