

NOTES:

1. SUBSTRATE MATERIAL:
N-BK7

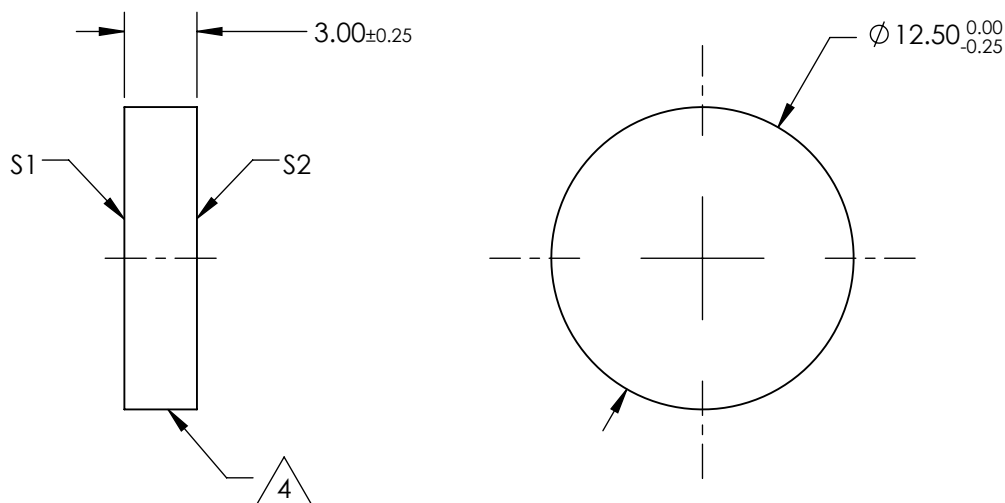
2. ROHS COMPLIANT

3. COATING (APPLY ACROSS CLEAR APERTURE)

S1: 70% R $\pm 5\%$ @ 550nm
30% T $\pm 5\%$ @ 550nm

S2: AR R(avg) $\leq 1\%$, R(abs) $\leq 2\%$ @ 400 - 700nm

4. CUT WITH 0.25mm MAXIMUM EDGE CHIP



**FOR INFORMATION ONLY:
DO NOT MANUFACTURE
PARTS TO THIS DRAWING**

SPECIFICATIONS SUBJECT TO CHANGE WITHOUT NOTICE
DIMENSIONS ARE FOR REFERENCE ONLY

| REV. A | S1 | S2 |
|--------------------|-------|-------|
| SHAPE | PLANO | PLANO |
| ANGLE OF INCIDENCE | 45° | 45° |
| SURFACE QUALITY | 60-40 | 60-40 |
| SURFACE FLATNESS | 1λ | 1λ |

THIRD ANGLE PROJECTION

ALL DIMS IN mm

Edmund Optics®

TITLE Ø12.5mm, 70 R/30 T, PLATE BEAMSPLITTER

DWG NO 48394

SHEET 1 OF 1