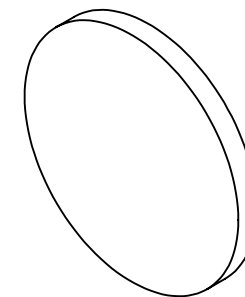


NOTES:

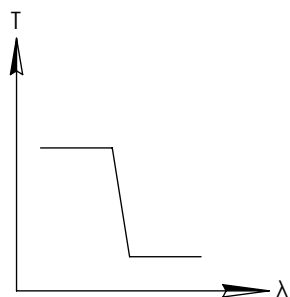
**FOR INFORMATION ONLY:
DO NOT MANUFACTURE
PARTS TO THIS DRAWING**



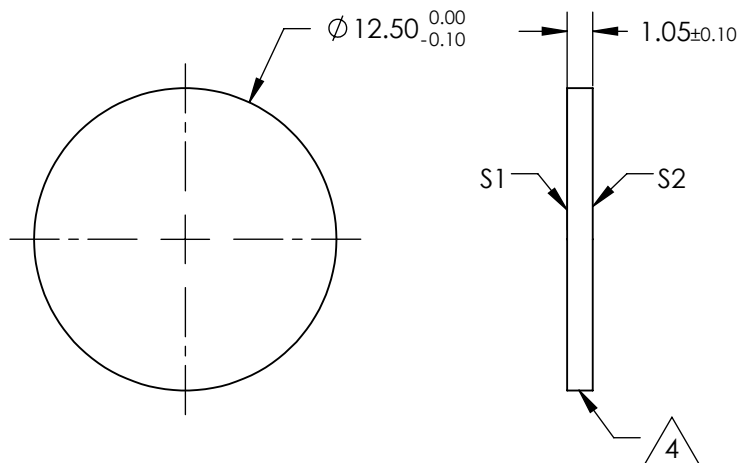
1. SUBSTRATE
 2. SURFACE S2 TO BE PARALLEL WITH SURFACE S1 TO WITHIN 5 arcsec
 3. COATING (APPLY ACROSS COATING APERTURE)
ENVIRONMENTAL DURABILITY:
PHYSICAL DURABILITY:
PERFORMANCE SPECIFICATIONS:
T(avg): >85% FROM 400 - 530nm FOR RANDOM POLARIZATION @ 45° AOI
T(abs): 80% FROM 400 - 530nm FOR ALL POLARIZATIONS @ 45° AOI
R(avg): >97% FROM 575 - 725nm FOR RANDOM POLARIZATION @ 45° AOI
R(abs): 95% FROM 575 - 725nm FOR ALL POLARIZATIONS @ 45° AOI
T(abs): = 50% 550nm @ 45° AOI
- S1: HARD COATED
S2: SINGLE LAYER MgF2

4. FINE GRIND SURFACE

5. POWER, IRREGULARITY, AND SURFACE QUALITY SPECIFICATIONS
APPLY ACROSS CLEAR APERTURE
6. TRANSMITTED WAVEFRONT DISTORTION RMS@ 632.8nm $\leq \frac{1}{4} \lambda$
7. ROHS COMPLIANT



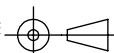
SHORTPASS FILTER



SPECIFICATIONS SUBJECT TO CHANGE WITHOUT NOTICE
DIMENSIONS ARE FOR REFERENCE ONLY

| | | |
|------------------|----------------------|----------------------|
| | S1 | S2 |
| SHAPE | PLANO | PLANO |
| SURFACE QUALITY | 60-40 | 60-40 |
| CLEAR APERTURE | Ø11.00 | Ø11.00Ø11.00 |
| COATING APERTURE | Ø11.00 | Ø11.00 |
| BEVEL | PROTECTIVE AS NEEDED | PROTECTIVE AS NEEDED |

THIRD ANGLE
PROJECTION



ALL DIMS IN

mm

EO® Edmund Optics®

TITLE

Ø12.5mm, 550nm DICHROIC SHORTPASS
FILTER

DWG NO

69179

SHEET
1 OF 1