

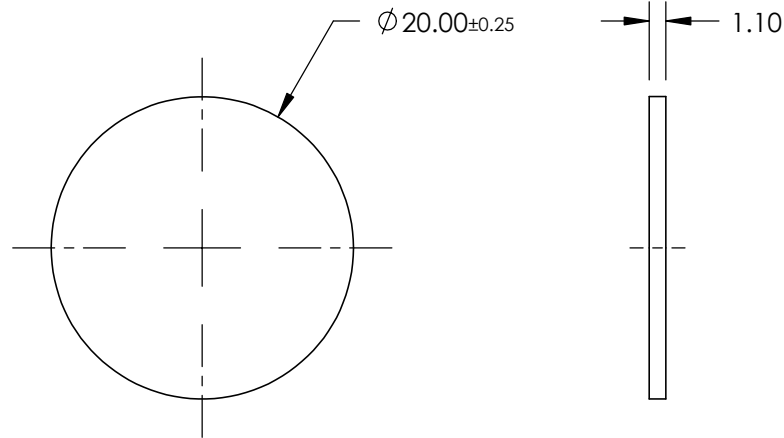
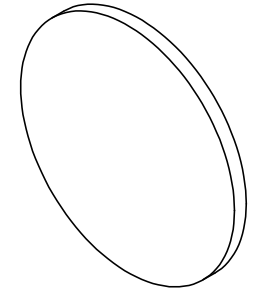
NOTES:

1. SUBSTRATE MATERIAL:
BOROFLOAT®
2. CLEAR APERTURE AND COATING APERTURE
ARE CENTERED ON SURFACES
3. COATING (APPLY ACROSS CLEAR APERTURE)
S1: R(avg) > 90% FROM 750-1125nm @ 45° AOI
T(avg) > 85% FROM 425-675nm @ 45° AOI

S2:NONE

4.  FINE GRIND SURFACE

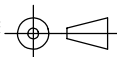
5. POWER, IRREGULARITY, AND SURFACE QUALITY
SPECIFICATIONS APPLY ACROSS CLEAR APERTURE
6. ROHS COMPLIANT



**FOR INFORMATION ONLY:
DO NOT MANUFACTURE
PARTS TO THIS DRAWING**

SPECIFICATIONS SUBJECT TO CHANGE WITHOUT NOTICE
DIMENSIONS ARE FOR REFERENCE ONLY

REV. 001	S1	S2
SHAPE	PLANO	PLANO
SURFACE QUALITY	80-50	80-50
SURFACE FLATNESS	4 - 6λ	4 - 6λ
CLEAR APERTURE	Ø17	Ø17
BEVEL	PROTECTIVE AS NEEDED	PROTECTIVE AS NEEDED

THIRD ANGLE PROJECTION 

ALL DIMS IN mm

 **Edmund Optics®**

TITLE	20mm DIA., 45° AOI, Hot Mirror		
DWG NO	62626	SHEET	1 OF 1