

NOTES:

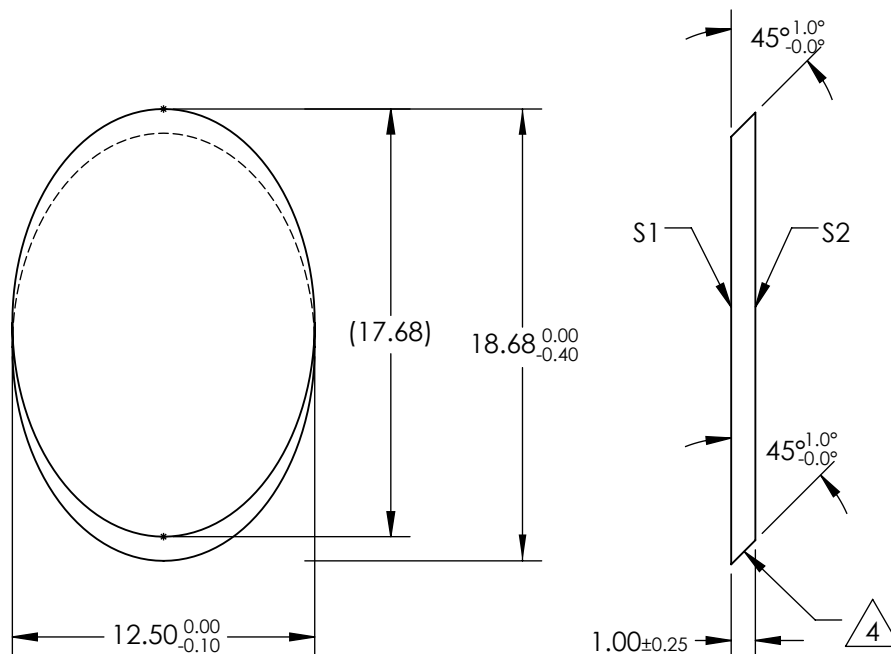
1. SUBSTRATE MATERIAL:
N-BK7
2. P1 PARALLEL TO P2 <1 ARCMIN
3. COATING (APPLY ACROSS CLEAR APERTURE)

S1: R(avg)= 50% ± 10% @ 700 - 1100nm
 R(abs)= 50% ± 5% @ 550nm
 T(avg)= 50% ± 10% @ 700 - 1100nm
 T(abs)= 50% ± 5% @ 550nm

S2: R(avg) ≤1.0% @ 700 - 1100nm
 R(avg) ≤2.0% @ 700 - 1100nm

 EDGES CUT

5. ROHS COMPLIANT

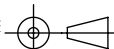


**FOR INFORMATION ONLY:
 DO NOT MANUFACTURE
 PARTS TO THIS DRAWING**

SPECIFICATIONS SUBJECT TO CHANGE WITHOUT NOTICE
 DIMENSIONS ARE FOR REFERENCE ONLY

REV. A	S1	S2
SHAPE	PLANO	PLANO
SURFACE QUALITY	60-40	60-40
SURFACE FLATNESS	2λ per inch	2λ per inch
BEVEL	PROTECTIVE AS NEEDED	PROTECTIVE AS NEEDED

THIRD ANGLE PROJECTION



ALL DIMS IN

mm

 **Edmund Optics**®

TITLE

12.5 x 17.68 x 1mm, NIR, ELLIPTICAL PLATE BEAMSPLITTER

DWG NO

48914

SHEET
1 OF 1