

NOTES:

1. SUBSTRATE MATERIAL:
N-BK7

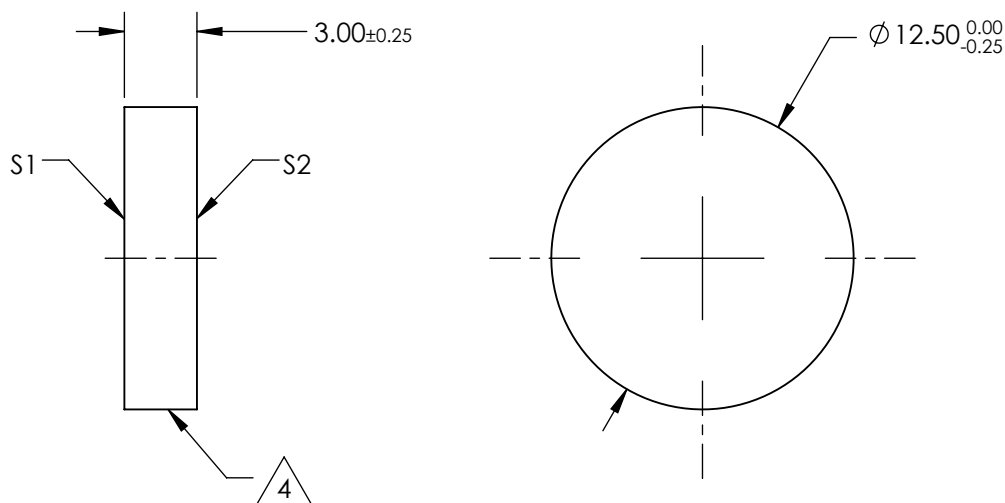
2. ROHS COMPLIANT

3. COATING (APPLY ACROSS CLEAR APERTURE)

S1: 70% R $\pm 5\%$ @ 550nm
30% T $\pm 5\%$ @ 550nm

S2: AR R(avg) $\leq 1\%$, R(abs) $\leq 2\%$ @ 700 - 1100nm

4. CUT WITH 0.25mm MAXIMUM EDGE CHIP



**FOR INFORMATION ONLY:
DO NOT MANUFACTURE
PARTS TO THIS DRAWING**

SPECIFICATIONS SUBJECT TO CHANGE WITHOUT NOTICE
DIMENSIONS ARE FOR REFERENCE ONLY

REV. A	S1	S2				
SHAPE	PLANO	PLANO				
ANGLE OF INCIDENCE	45°	45°				
SURFACE QUALITY	60-40	60-40				
SURFACE FLATNESS	1λ	1λ				
			THIRD ANGLE PROJECTION		TITLE	Ø12.5mm, 70 R/30 T, PLATE BEAMSPLITTER
			ALL DIMS IN	mm	DWG NO	48395
						SHEET 1 OF 1

EO® Edmund Optics®