

NOTES:

1. SUBSTRATE MATERIAL:
N-BK7

2. SURFACE S2 TO BE PARALLEL WITH SURFACE S1 TO WITHIN $\leq 3\text{ARCMIN}$

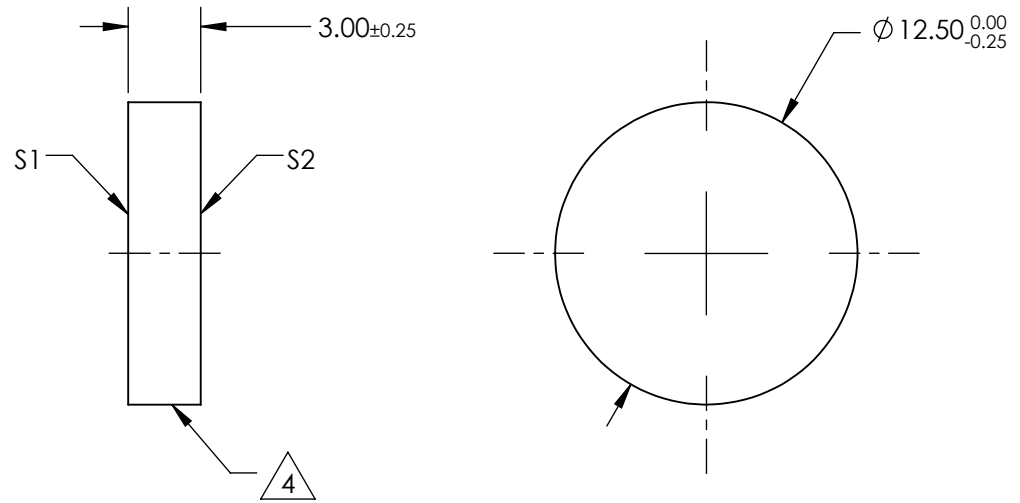
3. COATING (APPLY ACROSS CLEAR APERTURE)

S1: 30% R $\pm 5\%$ @ 550nm
70% T $\pm 5\%$ @ 550nm

S2: AR R(avg) $\leq 1\%$, R(abs) $\leq 2\%$ @ 700 - 1100nm


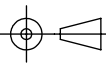
4.  CUT WITH 0.25mm MAXIMUM EDGE CHIP

5. ROHS COMPLIANT



**FOR INFORMATION ONLY:
DO NOT MANUFACTURE
PARTS TO THIS DRAWING**

SPECIFICATIONS SUBJECT TO CHANGE WITHOUT NOTICE
DIMENSIONS ARE FOR REFERENCE ONLY

| | | | | | | |
|--------------------|-------------|-------------|---|---|--------|--|
| | S1 | S2 |  | | | |
| SHAPE | PLANO | PLANO | | | | |
| ANGLE OF INCIDENCE | 45° | 45° | THIRD ANGLE PROJECTION |  | TITLE | Ø12.5mm, 30 R/70 T, PLATE BEAMSPLITTER |
| SURFACE QUALITY | 60-40 | 60-40 | ALL DIMS IN | mm | DWG NO | 48389 |
| SURFACE FLATNESS | 1λ PER 25mm | 1λ PER 25mm | | | | SHEET 1 OF 1 |