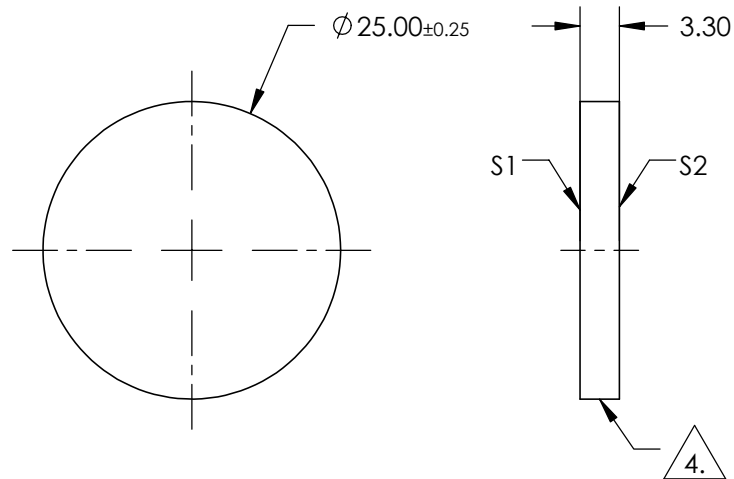
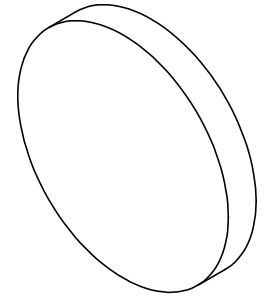


NOTES:

1. SUBSTRATE MATERIAL:
BOROFLOAT®
2. CLEAR APERTURE AND COATING APERTURE
ARE CENTERED ON SURFACES
3. COATING (APPLY ACROSS CLEAR APERTURE)
S1: Cold Mirror, 0°
Ravg >90% @ 425 - 675nm
Tavg >85% @ 800 - 1200nm
S2:NONE

4. FINE GRIND SURFACE

5. POWER, IRREGULARITY, AND SURFACE QUALITY
SPECIFICATIONS APPLY ACROSS CLEAR APERTURE
6. ROHS COMPLIANT



**FOR INFORMATION ONLY:
DO NOT MANUFACTURE
PARTS TO THIS DRAWING**

SPECIFICATIONS SUBJECT TO CHANGE WITHOUT NOTICE
DIMENSIONS ARE FOR REFERENCE ONLY

EO® Edmund Optics®

REV. 001	S1	S2				
SHAPE	PLANO	PLANO				
SURFACE QUALITY	80-50	80-50				
CLEAR APERTURE	Ø22.5	Ø22.5				
BEVEL	PROTECTIVE AS NEEDED	PROTECTIVE AS NEEDED				
			THIRD ANGLE PROJECTION		TITLE	Ø25mm, 0° AOI, Cold Mirror
			ALL DIMS IN	mm	DWG NO	43844
						SHEET 1 OF 1