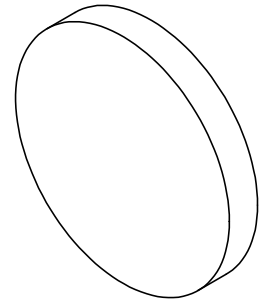


NOTES:

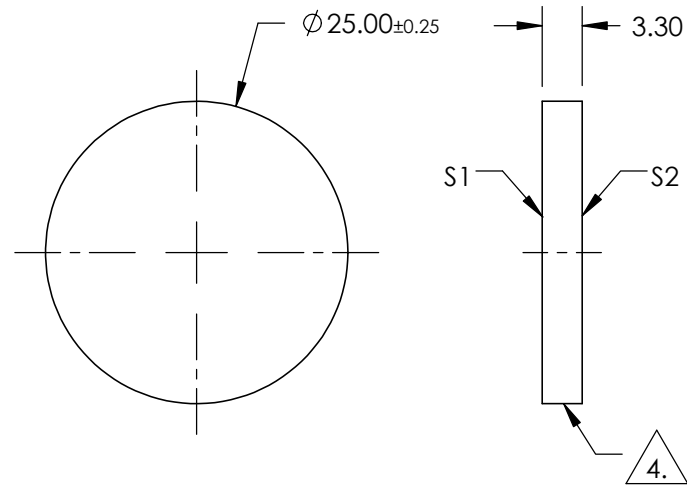
1. SUBSTRATE MATERIAL:
BOROFLOAT®
2. CLEAR APERTURE AND COATING APERTURE
ARE CENTERED ON SURFACES
3. COATING (APPLY ACROSS CLEAR APERTURE)
S1: R(avg) > 95% FROM 750-1150nm @ 0° AOI
T(avg) > 92% FROM 425-675nm @ 0° AOI

S2:NONE



4. FINE GRIND SURFACE

5. POWER, IRREGULARITY, AND SURFACE QUALITY
SPECIFICATIONS APPLY ACROSS CLEAR APERTURE
6. ROHS COMPLIANT



**FOR INFORMATION ONLY:
DO NOT MANUFACTURE
PARTS TO THIS DRAWING**

SPECIFICATIONS SUBJECT TO CHANGE WITHOUT NOTICE
DIMENSIONS ARE FOR REFERENCE ONLY

| REV. 001 | S1 | S2 |
|------------------|----------------------|----------------------|
| SHAPE | PLANO | PLANO |
| SURFACE QUALITY | 80-50 | 80-50 |
| SURFACE FLATNESS | 4 - 6λ | 4 - 6λ |
| CLEAR APERTURE | Ø22.5 | Ø22.5 |
| BEVEL | PROTECTIVE AS NEEDED | PROTECTIVE AS NEEDED |

THIRD ANGLE PROJECTION

ALL DIMS IN mm

EO® **Edmund Optics**®

TITLE

25mm DIA., 0° AOI, Hot Mirror

DWG NO

43842

SHEET
1 OF 1