

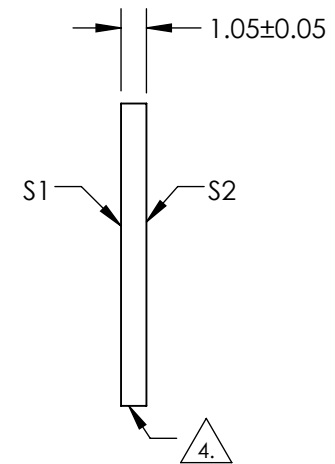
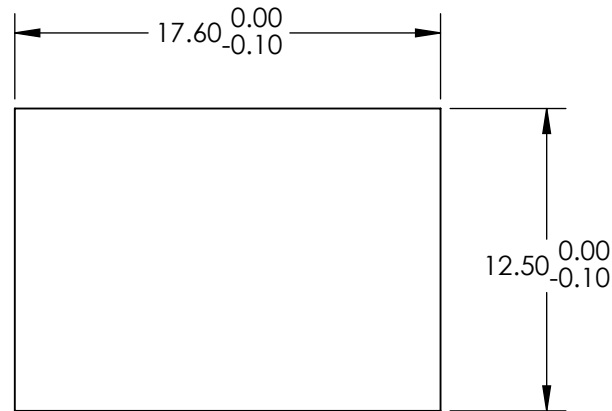
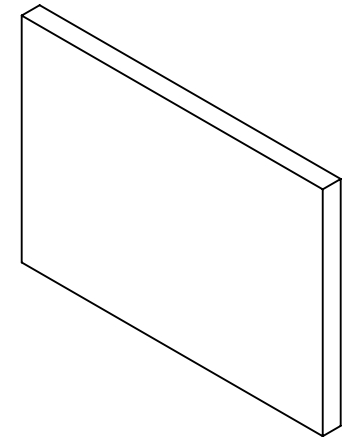
NOTES:

**FOR INFORMATION ONLY:  
DO NOT MANUFACTURE  
PARTS TO THIS DRAWING**

1. SUBSTRATE: UV FUSED SILICA
2. SURFACE S2 TO BE PARALLEL WITH SURFACE S1 TO WITHIN 3 arcsec
3. COATING SPECIFICATIONS APPLY ACROSS COATING APERTURE  
 S1: Dielectric  
 T(AVG) >90% FROM 502 - 730  
 R(AVG) >98% FROM 435 - 488  
 S2: AR

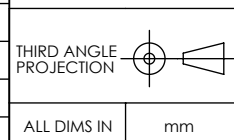
4.  FINE GRIND SURFACE

5. POWER, IRREGULARITY, AND SURFACE QUALITY SPECIFICATIONS APPLY ACROSS CLEAR APERTURE
6. TRANSMITTED WAVEFRONT RMS @ 632.8nm:  $\leq \lambda/10$
7. ROHS COMPLIANT



SPECIFICATIONS SUBJECT TO CHANGE WITHOUT NOTICE  
DIMENSIONS ARE FOR REFERENCE ONLY

| REV. A           | S1                   | S2                   |
|------------------|----------------------|----------------------|
| SHAPE            | PLANO                | PLANO                |
| SURFACE QUALITY  | 40-20                | 40-20                |
| CLEAR APERTURE   | 11 X 16              | 11 X 16              |
| COATING APERTURE | 11 X 16              | 11 X 16              |
| BEVEL            | PROTECTIVE AS NEEDED | PROTECTIVE AS NEEDED |



 **Edmund Optics®**

|        |   |              |
|--------|---|--------------|
| TITLE  | 12.5 X 17.6mm, 495nm, HIGH PERFORMANCE FLUORESCENCE DICHROIC FILTER |              |
| DWG NO | 34732   | SHEET 1 OF 1 |