

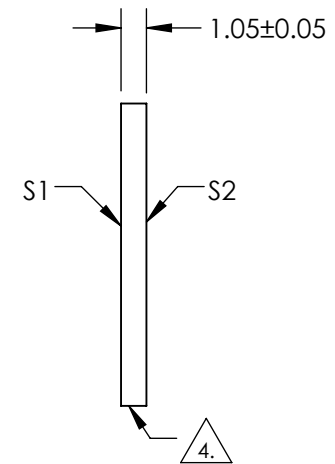
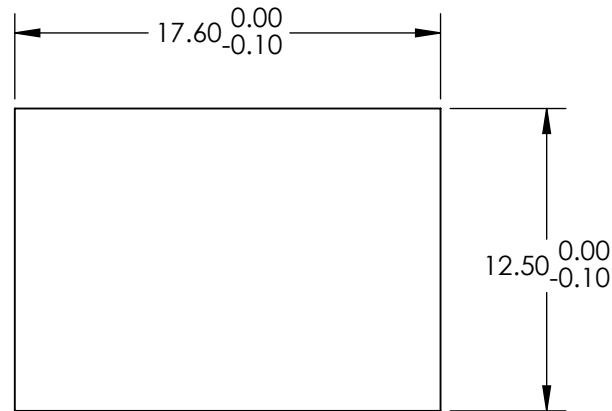
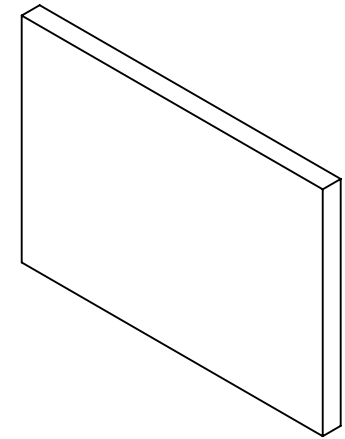
NOTES:

**FOR INFORMATION ONLY:  
DO NOT MANUFACTURE  
PARTS TO THIS DRAWING**

1. SUBSTRATE: UV FUSED SILICA
2. SURFACE S2 TO BE PARALLEL WITH SURFACE S1 TO WITHIN 3 arcsec
3. COATING SPECIFICATIONS APPLY ACROSS COATING APERTURE  
 S1: Dielectric  
 T(AVG) >90% FROM 490 - 850  
 R(AVG) >98% FROM 350 - 470  
 S2: AR

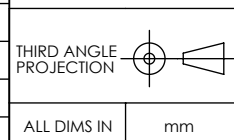
4.  FINE GRIND SURFACE

5. POWER, IRREGULARITY, AND SURFACE QUALITY SPECIFICATIONS APPLY ACROSS CLEAR APERTURE
6. TRANSMITTED WAVEFRONT RMS @ 632.8nm:  $\leq \lambda/10$
7. ROHS COMPLIANT



SPECIFICATIONS SUBJECT TO CHANGE WITHOUT NOTICE  
DIMENSIONS ARE FOR REFERENCE ONLY

REV. A	S1	S2
SHAPE	PLANO	PLANO
SURFACE QUALITY	40-20	40-20
CLEAR APERTURE	11 X 16	11 X 16
COATING APERTURE	11 X 16	11 X 16
BEVEL	PROTECTIVE AS NEEDED	PROTECTIVE AS NEEDED



**EO**® **Edmund Optics**®

TITLE	12.5 x 17.6mm, 482nm, HIGH PERFORMANCE FLUORESCENCE DICHROIC FILTER	
DWG NO	34730	SHEET 1 OF 1