

NOTES:

**FOR INFORMATION ONLY:  
DO NOT MANUFACTURE  
PARTS TO THIS DRAWING**

1. SUBSTRATE: UV FUSED SILICA
2. SURFACE S2 TO BE PARALLEL WITH SURFACE S1 TO WITHIN 3 arcsec

3. COATING SPECIFICATIONS APPLY ACROSS COATING APERTURE

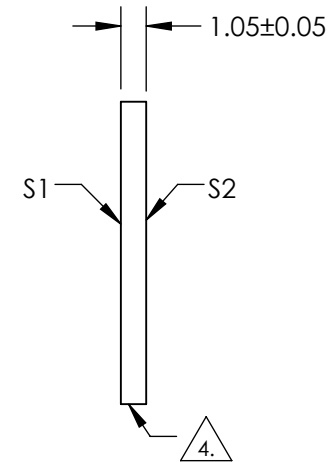
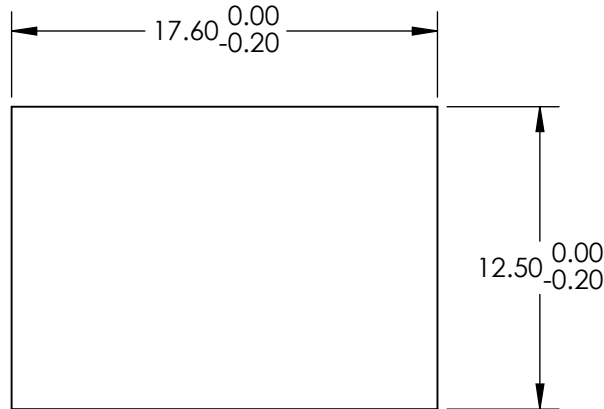
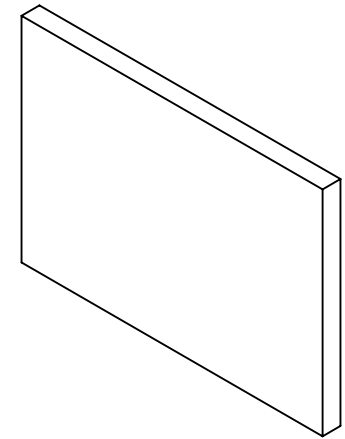
S1: Dielectric  
T(AVG) >90% FROM 415 - 850  
R(AVG) >98% FROM 325 - 404  
S2: AR

4. FINE GRIND SURFACE

5. POWER, IRREGULARITY, AND SURFACE QUALITY SPECIFICATIONS  
APPLY ACROSS CLEAR APERTURE

6. TRANSMITTED WAVEFRONT RMS @ 632.8nm:  $\leq \lambda/10$

7. ROHS COMPLIANT



SPECIFICATIONS SUBJECT TO CHANGE WITHOUT NOTICE  
DIMENSIONS ARE FOR REFERENCE ONLY

	S1	S2
SHAPE	PLANO	PLANO
SURFACE QUALITY	40-20	40-20
CLEAR APERTURE	11 X 16	11 X 16
COATING APERTURE	11 X 16	11 X 16
BEVEL	PROTECTIVE AS NEEDED	PROTECTIVE AS NEEDED



ALL DIMS IN

mm

**EO**® Edmund Optics®

TITLE

12.5 x 17.6mm, 409nm, HIGH PERFORMANCE  
FLUORESCENCE DICHOIC FILTER

DWG NO

34724

SHEET  
1 OF 1