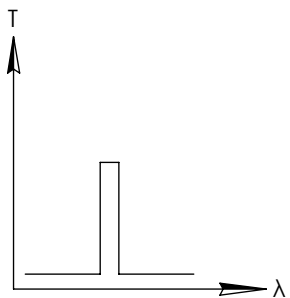
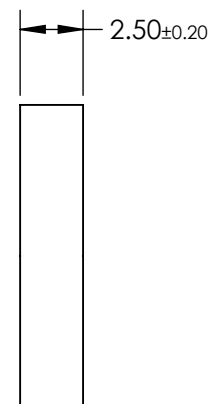
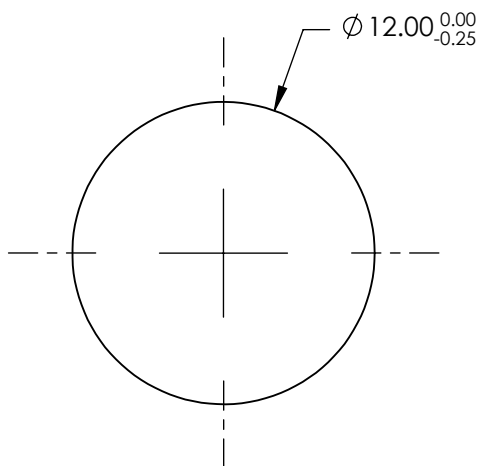
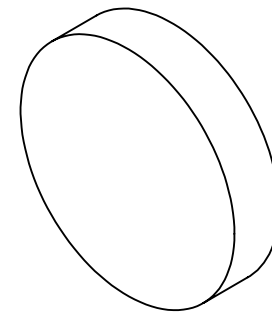


**FOR INFORMATION ONLY:
DO NOT MANUFACTURE
PARTS TO THIS DRAWING**



BANDPASS FILTER

SPECIFICATIONS SUBJECT TO CHANGE WITHOUT NOTICE
DIMENSIONS ARE FOR REFERENCE ONLY

	VALUE
SHAPE	PLANO
CENTER WAVELENGTH (nm)	460
FULL WIDTH HALF MAX (FWHM) (nm)	200
SURFACE QUALITY	80-50
COATING TYPE	Uncoated
BEVEL	PROTECTIVE AS NEEDED



ALL DIMS IN mm

EO® **Edmund Optics**®

TITLE

B-460 (UV-VIS) 12mm Dia., Colored Glass
Bandpass Filter

DWG NO

34443

SHEET
1 OF 1