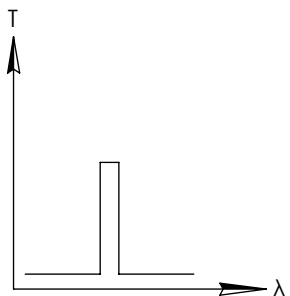
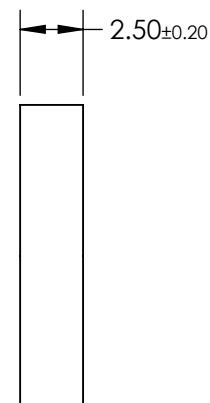
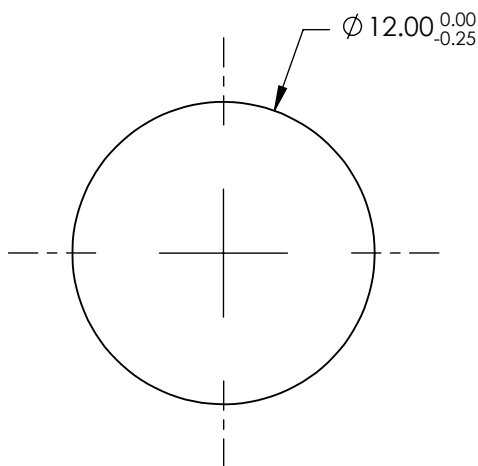
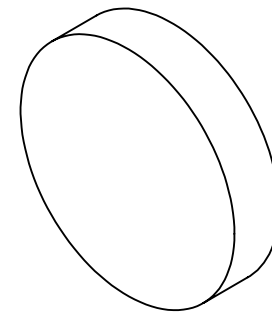


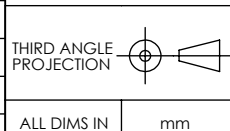
**FOR INFORMATION ONLY:
DO NOT MANUFACTURE
PARTS TO THIS DRAWING**



BANDPASS FILTER

SPECIFICATIONS SUBJECT TO CHANGE WITHOUT NOTICE
DIMENSIONS ARE FOR REFERENCE ONLY

	VALUE
SHAPE	PLANO
CENTER WAVELENGTH (nm)	410
FULL WIDTH HALF MAX (FWHM) (nm)	232
SURFACE QUALITY	80-50
COATING TYPE	Uncoated
BEVEL	PROTECTIVE AS NEEDED



 **Edmund Optics®**

TITLE	B-410 (UV-VIS) 12mm Dia., Colored Glass Bandpass Filter		
DWG NO	34431	SHEET	1 OF 1