

NOTES:

1. SUBSTRATE MATERIAL:
FUSED SILICA
2. SURFACE S1 TO BE PARALLEL TO SURFACE S2 TO WITHIN <1 ARCMIN
3. COATING:

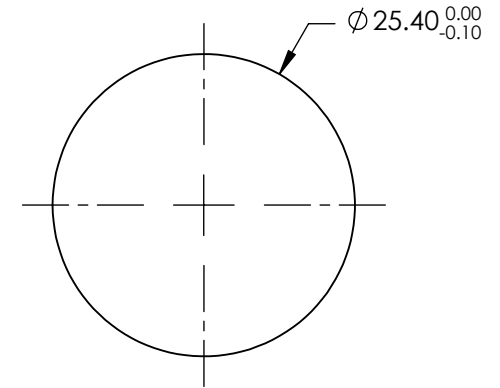
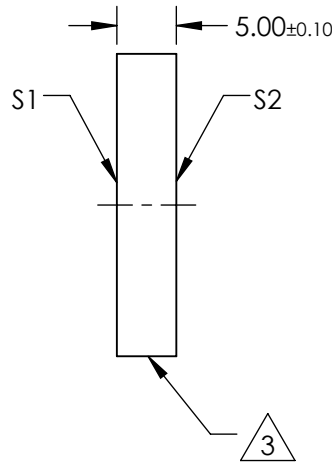
S1: R(ABS) = $50 \pm 5\%$ @ 355nm @ 45° AOI
 T(ABS) = $50 \pm 5\%$ @ 355nm @ 45° AOI

DAMAGE THRESHOLD, PULSED: 1 J/cm² @ 1064nm, 10ns

S2: R(sp) < 0.65% @ 355nm @ 45° AOI

 EDGE FINE GROUND

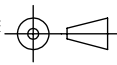
4. ROHS COMPLIANT




**FOR INFORMATION ONLY:
DO NOT MANUFACTURE
PARTS TO THIS DRAWING**

SPECIFICATIONS SUBJECT TO CHANGE WITHOUT NOTICE
 DIMENSIONS ARE FOR REFERENCE ONLY

REV. A	S1	S2
SHAPE	PLANO	PLANO
SURFACE QUALITY	20-10	N/A
SURFACE FLATNESS	$\lambda/8$	N/A
CLEAR APERTURE CA (mm)	$\varnothing 22.86$	$\varnothing 22.86$
BEVEL	PROTECTIVE AS NEEDED	PROTECTIVE AS NEEDED

THIRD ANGLE PROJECTION 

ALL DIMS IN mm

 **Edmund Optics®**

TITLE: 25.4mm x 355nm, LASER NON-POLARIZING BEAMSPLITTER

DWG NO: 33033

SHEET 1 OF 1