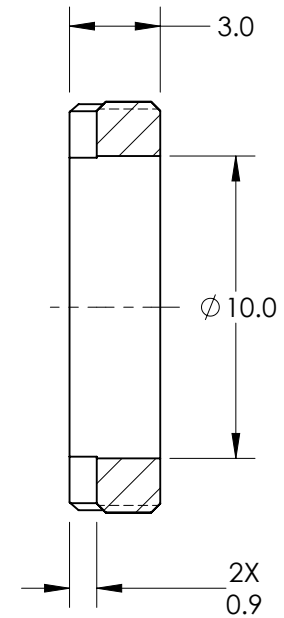
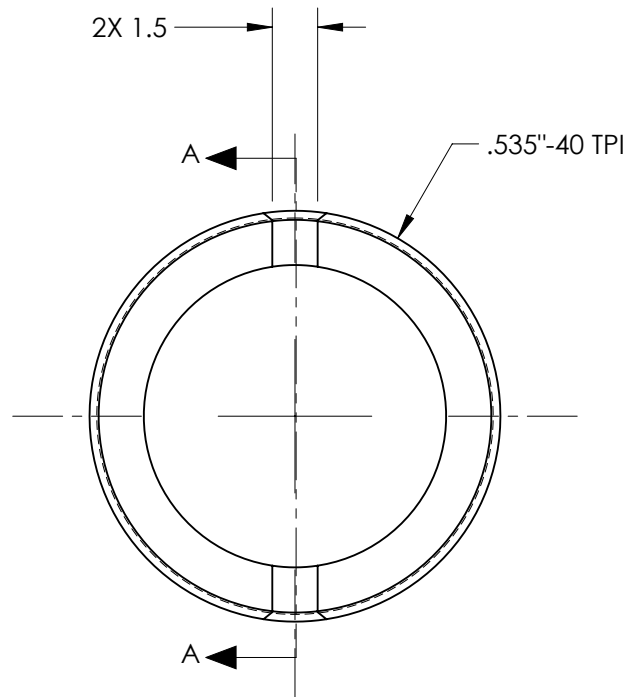


REV.	ECN NUM.	REV. DATE	REV. BY
B			



SECTION A-A

FOR INFORMATION ONLY:
DO NOT MANUFACTURE PARTS TO THIS DRAWING

SPECIFICATIONS SUBJECT TO CHANGE WITHOUT NOTICE
 DIMENSIONS ARE FOR REFERENCE ONLY

EO® **Edmund Optics**®

TITLE	Retainer Ring ID05		
DWG NO	35784	MATERIAL	BLACK ANODIZED ALUMINUM
			SHEET 1 OF 1