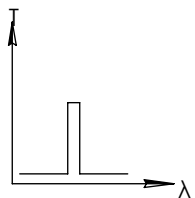
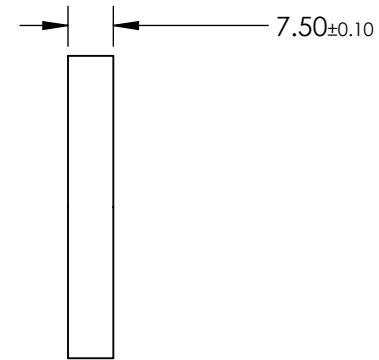
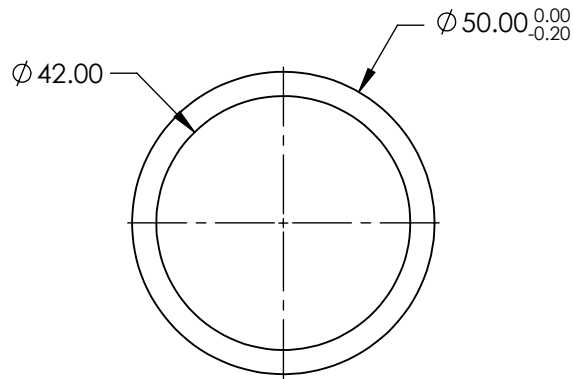
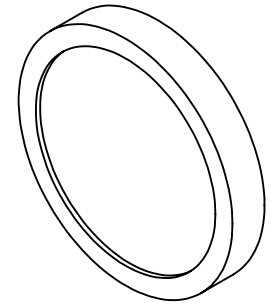


**FOR INFORMATION ONLY:
DO NOT MANUFACTURE
PARTS TO THIS DRAWING**



BANDPASS FILTER

SPECIFICATIONS SUBJECT TO CHANGE WITHOUT NOTICE
DIMENSIONS ARE FOR REFERENCE ONLY

	VALUE
OPTICAL DENSITY	≥3.0
CENTER WAVELENGTH (CWL)	940 ±2 nm
FULL WIDTH HALF MAX (FWHM)	10 ±2 nm
MINIMUM TRANSMISSION	≥50 %
BLOCKING	200 - 1200nm
SURFACE QUALITY	80-50
CONSTRUCTION	MOUNTED IN BLACK ANODIZED RING
COATING TYPE	TRADITIONAL COATED

EO® Edmund Optics®

THIRD ANGLE PROJECTION

TITLE	Ø50mm, 940nm x 10nm, MOUNTED BANDPASS FILTER		
DWG NO	86639	SHEET	1 OF 1

ALL DIMS IN

mm