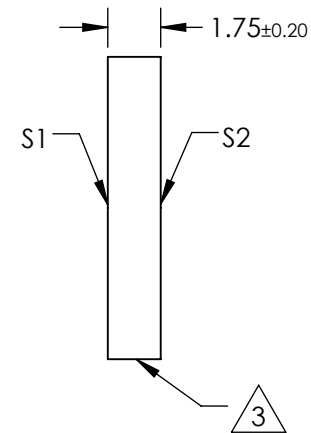
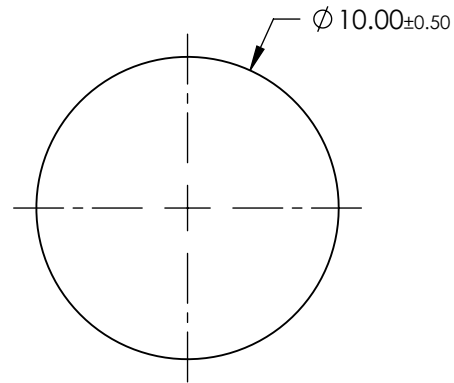
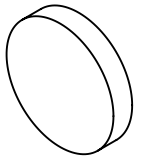


NOTES:

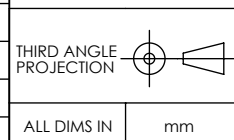
1. SUBSTRATE: BOROFLOAT ®
2. COATING (APPLY ACROSS CLEAR APERTURE):
S1 & S2: R(ABS) ≤2.5% @ 550nm
3.  FINE GRIND SURFACE
4. ROHS COMPLIANT



**FOR INFORMATION ONLY:
DO NOT MANUFACTURE
PARTS TO THIS DRAWING**

SPECIFICATIONS SUBJECT TO CHANGE WITHOUT NOTICE
DIMENSIONS ARE FOR REFERENCE ONLY

	S1	S2
SHAPE	PLANO	PLANO
SURFACE FLATNESS	4 - 6λ	4 - 6λ
SURFACE QUALITY	80-50	80-50
CLEAR APERTURE	Ø9.00	Ø9.00
BEVEL	PROTECTIVE AS NEEDED	PROTECTIVE AS NEEDED



 Edmund Optics®	
TITLE	Ø10 x 1.75mm , MgF2 COATED, BOROFLOAT® WINDOW
DWG NO	83370
	SHEET 1 OF 1