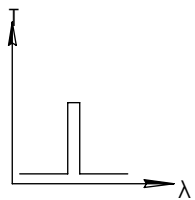
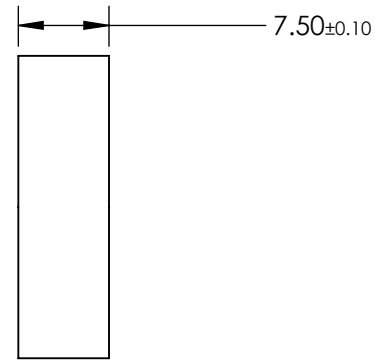
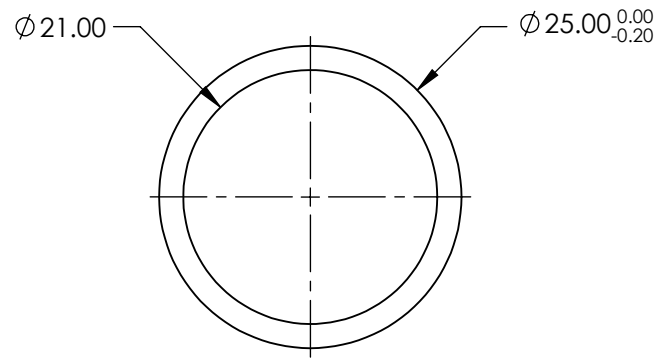
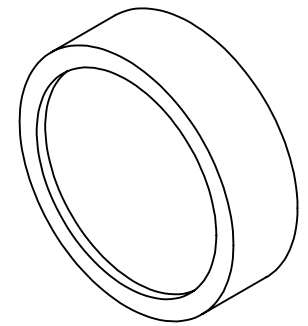


**FOR INFORMATION ONLY:  
DO NOT MANUFACTURE  
PARTS TO THIS DRAWING**



BANDPASS FILTER

	VALUE
OPTICAL DENSITY	$\geq 4.0$
CENTER WAVELENGTH (CWL)	$1600 \pm 2.5 \text{ nm}$
FULL WIDTH HALF MAX (FWHM)	$12 \pm 2.5 \text{ nm}$
MINIMUM TRANSMISSION	$> 65 \%$
BLOCKING	200 - 3000nm
SURFACE QUALITY	80-50
CONSTRUCTION	MOUNTED IN BLACK ANODIZED RING
COATING TYPE	TRADITIONAL COATED

SPECIFICATIONS SUBJECT TO CHANGE WITHOUT NOTICE  
DIMENSIONS ARE FOR REFERENCE ONLY



ALL DIMS IN

mm

TITLE

$\varnothing 25\text{mm}$ , 1600nm x 10nm, MOUNTED  
BANDPASS FILTER

DWG NO

65794

SHEET  
1 OF 1